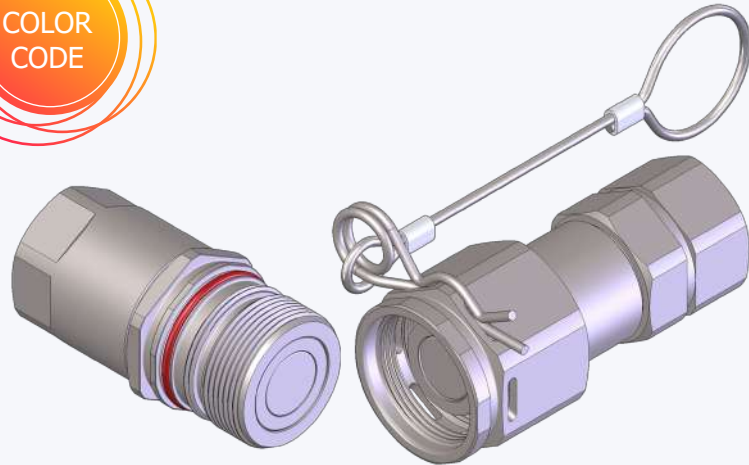


FLAT FACE/SCREW

VITE VALVOLA PIANA/SICURA
 FLAT FACE SCREW COUPLINGS/PIN LOCK
 FLACHDICHTENDE SCHRAUBKUPPLUNGEN/SPLINT
 COUPLEURS FACE PLANE À VISSER/GOUPILLE



Caratteristiche tecniche I

- Intercambiabilità: disegno esclusivo Dnp
- Occlusione: faccia piana
- Aggancio: a vite con sicura
- Materiale: acciaio
- Finitura: Zn-Fe (Cr III) e Zn-Ni
- Filettature: BSP - NPT - SAE - METRICHE
- Guarnizioni standard: NBR e PU
- Temperatura d'esercizio: -25 °C +100 °C
- Guarnizioni opzionali: FKM, EPDM o altro
- Pressioni di esercizio: 300-350 bar
- Connessione in pressione: consentita (lato maschio o lato femmina)

Technical data E

- Interchange: exclusive Dnp profile
- Occlusion: flat face
- Locking: screw with pin lock
- Material: steel
- Finishing: Zn-Fe (Cr III) and Zn-Ni
- Threads: BSP - NPT - SAE - METRIC
- Standard seals: NBR and PU
- Working temperature: -25 °C +100 °C
- Optional seals: FKM, EPDM or more
- Working pressure: 300-350 bar
- Connection under pressure: allowed (both male or female side)

Nominal size				Max working pressure	Rated flow	Max flow rate	Min burst pressure			Fluid spillage
DNP	BG	ISO	mm				Male	Female	Coupled	
13	2	10	8.6	35	23	46	140	170	140	0.010
20	3	12.5	10.7	35	45	90	140	160	140	0.012
22	4A	16	12.8	35	74	150	130	130	130	0.015
25	4	19	14.8	35	100	200	130	140	130	0.020
30	5	25	17.6	35	189	280	130	130	130	0.030
35	6	31.5	26	35	288	480	140	130	140	0.040
39	7	40	30	30	379	700	130	120	130	0.050
50	8	50	40.6	30	757	1000	150	120	140	0.100

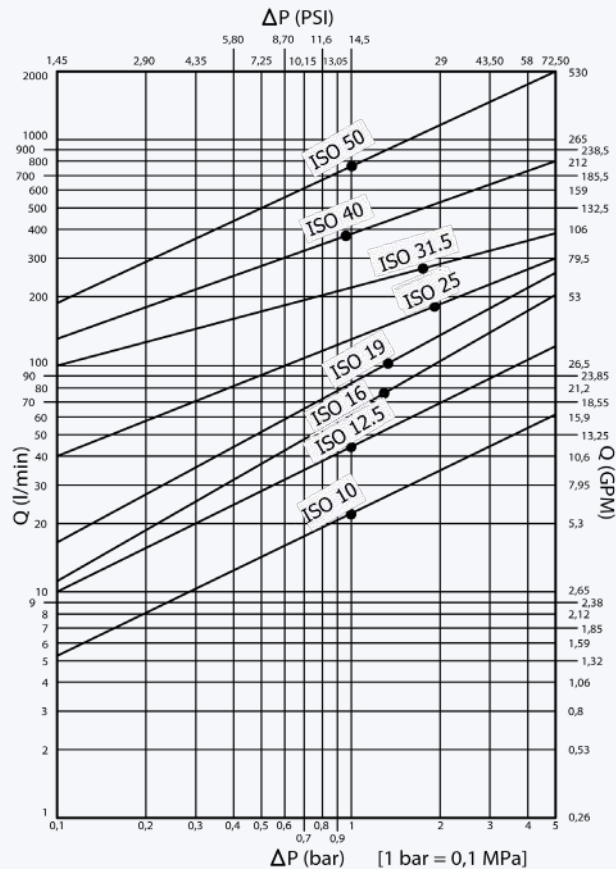
1 MPa = 145.04 psi • 1 l = 0.264 gal

Technische Merkmale D

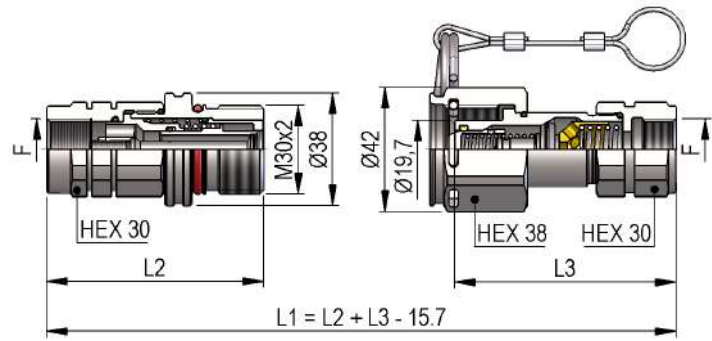
- Austauschbarkeit: laut exclusive Dnp Zeichnung
- Verschluss: flachdichtend
- Kupplung: Schraubweise mit splint
- Werkstoff: Stahl
- Ausführung: Zn-Fe (Cr III) und Zn-Ni
- Gewinde: BSP - NPT - SAE - METRISCHE
- Standard-Dichtungen: NBR und PU
- Betriebstemperatur: -25 °C +100 °C
- Dichtungen nach Wahl: FKM, EPDM, usw.
- Betriebsdruck: 300-350 bar
- Kuppeln unter Druck: erlaubt (Steckerseite oder Muffeseite)

Caracteristiques techniques F

- Intercambiabilité: projet exclusif Dnp
- Obturation: clapet plat
- Accrochage: a vissé avec goupille
- Matériel: acier
- Traitement: Zn-Fe (Cr III) et Zn-Ni
- Taraudage: BSP - NPT - SAE - METRIQUES
- Joints standard: NBR et PU
- Température de service: -25 °C +100 °C
- Joints facultatifs: FKM, EPDM, ect.
- Pression de service: 300-350 bar
- Connexion sous pression: possible (côté male ou femelle)

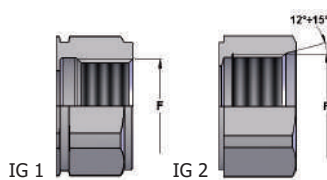


PVT4 CS DN13 - BG 2 - ISO 10

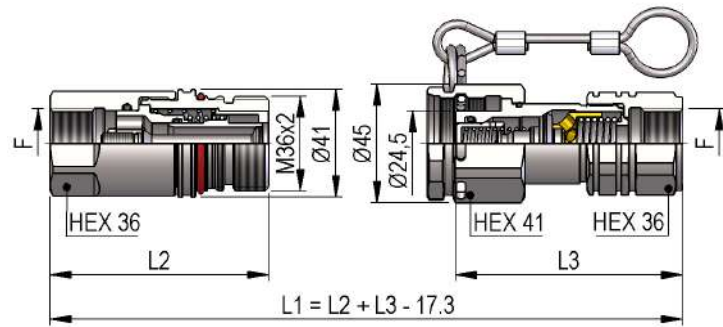


THREADS	L2	L3	F	STANDARD	FEMMINA - FEMALE - MUFFE - FEMELLE			MASCHIO - MALE - STECKER - MALE		
					COD. F	Weight (g)	Packaging (pcs.)	COD. M	Weight (g)	Packaging (pcs.)
IG 1	73.5	75	BSP 3/8"	DIN 3852-2-X	PVT4.1310.112	315	45	PVT4.1310.113 CS	281	40
	73.5	78	NPT 3/8"	ANSI B1.20.3	PVT4.1310.012	317	45	PVT4.1310.013 CS	307	40
	73.5	75	BSP 1/2"	DIN 3852-2-X	PVT4.1313.112	300	45	PVT4.1313.113 CS	277	40
	73.5	78	NPT 1/2"	ANSI B1.20.3	PVT4.1313.012	303	45	PVT4.1313.013 CS	291	40
	73.5	75	M14x1.5	ISO 6149-1	PVT4.1314.102	301	45	PVT4.1314.103 CS	289	40
	73.5	75	M16x1.5	ISO 6149-1	PVT4.1316.102	318	45	PVT4.1316.103 CS	284	40
	73.5	75	M18x1.5	ISO 6149-1	PVT4.1318.102	311	45	PVT4.1318.103 CS	277	40
	73.5	75	M20x1.5	ISO 6149-1	PVT4.1320.102	315	45	PVT4.1320.103 CS	281	40
IG 2	72	75	9/16"-18 UNF 2B	SAE J 1926-1	PVT4.1315.032	315	45	PVT4.1315.033 CS	288	40
	73.5	75	3/4"-16 UNF 2B	SAE J 1926-1	PVT4.1319.032	307	45	PVT4.1319.033 CS	283	40
	74.5	79	7/8"-14 UNF 2B	SAE J 1926-1	PVT4.1323.032	293	45	PVT4.1323.033 CS	282	40
	74.5	75	M22x1.5	SAE J 2244/1	PVT4.1322.102	299	45	PVT4.1322.103 CS	285	40

THREADS

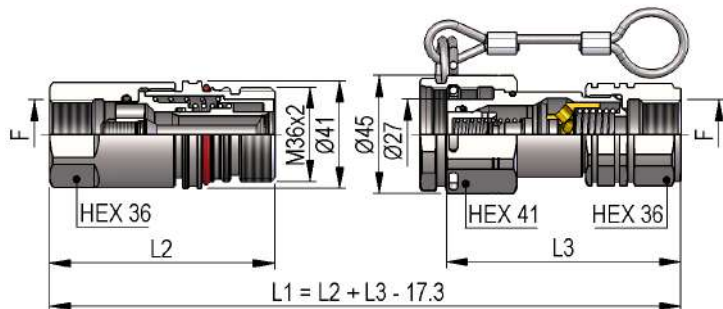


PVT4 CS DN20 - BG 3 - ISO 12.5



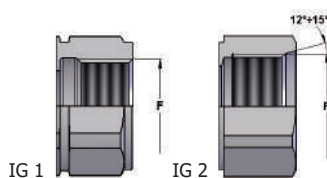
THREADS	L2	L3	F	STANDARD	FEMMINA - FEMALE - MUFFE - FEMELLE			MASCHIO - MALE - STECKER - MALE		
					COD. F	Weight (g)	Packaging (pcs.)	COD. M	Weight (g)	Packaging (pcs.)
IG 1	86	87.5	BSP 1/2"	DIN 3852-2-X	PVT4.2013.112 CS	527	30	PVT4.2013.113 CS	483	30
	86	89	NPT 1/2"	ANSI B1.20.3	PVT4.2013.012 CS	530	30	PVT4.2013.013 CS	496	30
	86	89.5	BSP 3/4"	DIN 3852-2-X	PVT4.2019.112 CS	496	30	PVT4.2019.113 CS	463	30
	86	89	NPT 3/4"	ANSI B1.20.3	PVT4.2019.012 CS	504	30	PVT4.2019.013 CS	468	30
	85	85.5	M18x1.5	ISO 6149-1	PVT4.2018.102 CS	532	30	PVT4.2018.103 CS	482	30
	85	85	M22x1.5	ISO 6149-1	PVT4.2022.102 CS	515	30	PVT4.2022.103 CS	465	30
	86	89	M26x1.5	ISO 6149-1	PVT4.2026.102 CS	494	30	PVT4.2026.103 CS	462	30
	86	89	M30x1.5	ISO 6149-1	PVT4.2030.102 CS	467	30	PVT4.2030.103 CS	435	30
IG 2	82	85	3/4"-16 UNF 2B	SAE J 1926-1	PVT4.2019.032 CS	505	30	PVT4.2019.033 CS	475	30
	84	89	7/8"-14 UNF 2B	SAE J 1926-1	PVT4.2023.032 CS	510	30	PVT4.2023.033 CS	487	30
	86	89	1"1/16-12 UN 2B	SAE J 1926-1	PVT4.2027.032 CS	490	30	PVT4.2027.033 CS	457	30

PVT4 CS DN22 - BG 4A - ISO 16

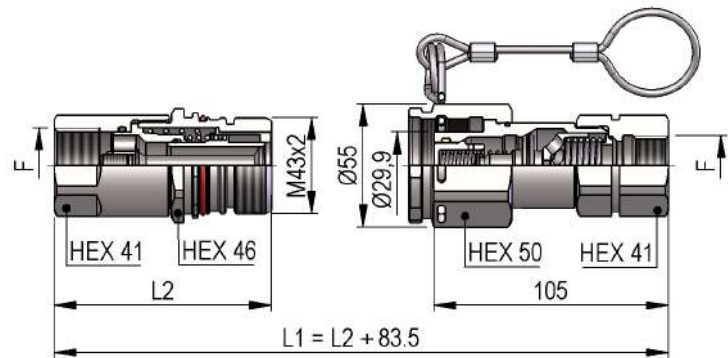


THREADS	L2	L3	F	STANDARD	FEMMINA - FEMALE - MUFFE - FEMELLE			MASCHIO - MALE - STECKER - MALE		
					COD. F	Weight (g)	Packaging (pcs.)	COD. M	Weight (g)	Packaging (pcs.)
IG 1	86	87.5	BSP 1/2"	DIN 3852-2-X	PVT4.2213.112 CS	523	30	PVT4.2213.113 CS	534	30
	86	89	NPT 1/2"	ANSI B1.20.3	PVT4.2213.012 CS	526	30	PVT4.2213.013 CS	547	30
	86	89.5	BSP 3/4"	DIN 3852-2-X	PVT4.2219.112 CS	492	30	PVT4.2219.113 CS	514	30
	86	89	NPT 3/4"	ANSI B1.20.3	PVT4.2219.012 CS	500	30	PVT4.2219.013 CS	520	30
	85	85.5	M18x1.5	ISO 6149-1	PVT4.2218.102 CS	528	30	PVT4.2218.103 CS	533	30
	85	85	M22x1.5	ISO 6149-1	PVT4.2222.102 CS	511	30	PVT4.2222.103 CS	516	30
	86	89	M26x1.5	ISO 6149-1	PVT4.2226.102 CS	490	30	PVT4.2226.103 CS	513	30
	86	89	M30x1.5	ISO 6149-1	PVT4.2230.102 CS	464	30	PVT4.2230.103 CS	487	30
IG 2	82	85	3/4"-16 UNF 2B	SAE J 1926-1	PVT4.2219.032 CS	501	30	PVT4.2219.033 CS	526	30
	84	89	7/8"-14 UNF 2B	SAE J 1926-1	PVT4.2223.032 CS	506	30	PVT4.2223.033 CS	538	30
	86	89	1"1/16-12 UN 2B	SAE J 1926-1	PVT4.2227.032 CS	486	30	PVT4.2227.033 CS	509	30

THREADS

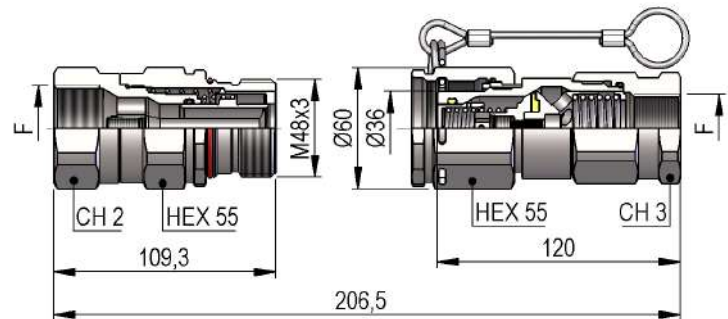


PVT4 CS DN25 - BG 4 - ISO 19



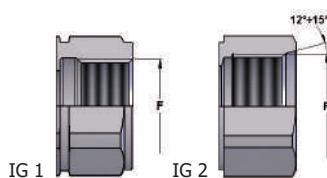
THREADS	L2	F	STANDARD	FEMMINA - FEMALE - MUFFE - FEMELLE			MASCHIO - MALE - STECKER - MALE		
				COD. F	Weight (g)	Packaging (pcs.)	COD. M	Weight (g)	Packaging (pcs.)
IG 1	94.5	BSP 3/4"	DIN 3852-2-X	PVT4.2519.112 CS	740	23	PVT4.2519.113 CS	859	24
	94.5	NPT 3/4"	ANSI B1.20.3	PVT4.2519.012 CS	745	23	PVT4.2519.013 CS	866	24
	97.5	BSP 1"	DIN 3852-2-X	PVT4.2525.112 CS	711	23	PVT4.2525.113 CS	782	24
	97.5	NPT 1"	ANSI B1.20.3	PVT4.2525.012 CS	717	23	PVT4.2525.013 CS	808	24
	97.5	M30x1.5	ISO 6149-1	PVT4.2530.102 CS	741	23	PVT4.2530.103 CS	832	24
IG 2	95	1"1/16-12 UN 2B	SAE J 1926-1	PVT4.2527.032 CS	748	23	PVT4.2527.033 CS	853	24
	95	1"5/16-12 UN 2B	SAE J 1926-1	PVT4.2533.032 CS	689	23	PVT4.2533.033 CS	794	24

PVT4 CS DN30 - BG 5 - ISO 25

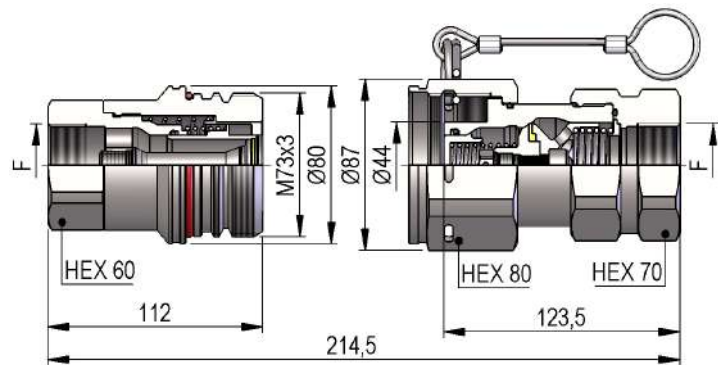


THREADS	CH2	CH3	F	STANDARD	FEMMINA - FEMALE - MUFFE - FEMELLE			MASCHIO - MALE - STECKER - MALE		
					COD. F	Weight (g)	Packaging (pcs.)	COD. M	Weight (g)	Packaging (pcs.)
IG 1	50	50	BSP 1"	DIN 3852-2-X	PVT4.3025.112 CS	1227	15	PVT4.3025.113 CS	1362	12
	50	50	NPT 1"	ANSI B1.20.3	PVT4.3025.012 CS	1242	15	PVT4.3025.013 CS	1368	12
	55	55	BSP 1"1/4	DIN 3852-2-X	PVT4.3031.112 CS	1234	15	PVT4.3031.113 CS	1432	12
	55	55	NPT 1"1/4	ANSI B1.20.3	PVT4.3031.012 CS	1251	15	PVT4.3031.013 CS	1446	12
IG 2	50	50	1"5/16-12 UN 2B	SAE J 1926-1	PVT4.3033.032 CS	1227	15	PVT4.3033.033 CS	1351	12
	55	55	1"5/8-12 UN 2B	SAE J 1926-1	PVT4.3041.032 CS	1232	15	PVT4.3041.033 CS	1434	12

THREADS

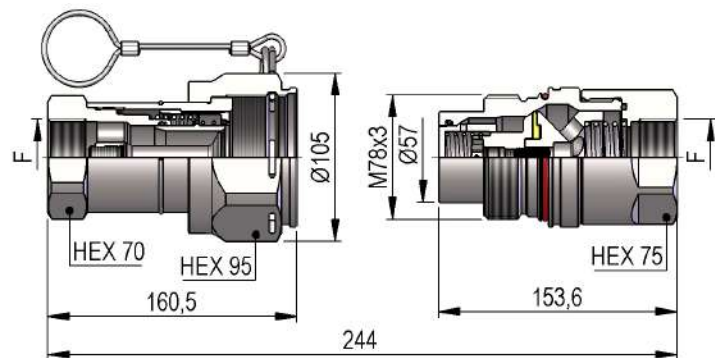


PVT4 CS DN35 - BG 6 - ISO 31.5

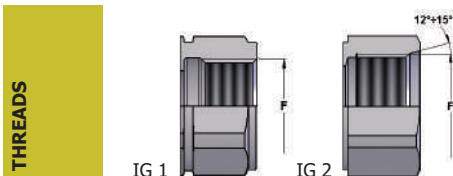


THREADS	F	STANDARD	FEMMINA - FEMALE - MUFFE - FEMELLE			MASCHIO - MALE - STECKER - MALE		
			COD. F	Weight (g)	Packaging (pcs.)	COD. M	Weight (g)	Packaging (pcs.)
IG 1	BSP 1"¼	DIN 3852-2-X	PVT4.3531.112 CS	2277	8	PVT4.3531.113 CS	2815	7
	NPT 1"¼	ANSI B1.20.3	PVT4.3531.012 CS	2292	8	PVT4.3531.013 CS	2830	7
IG 2	1"5/8-12 UN 2B	SAE J 1926-1	PVT4.3541.032 CS	2277	8	PVT4.3541.033 CS	2815	7

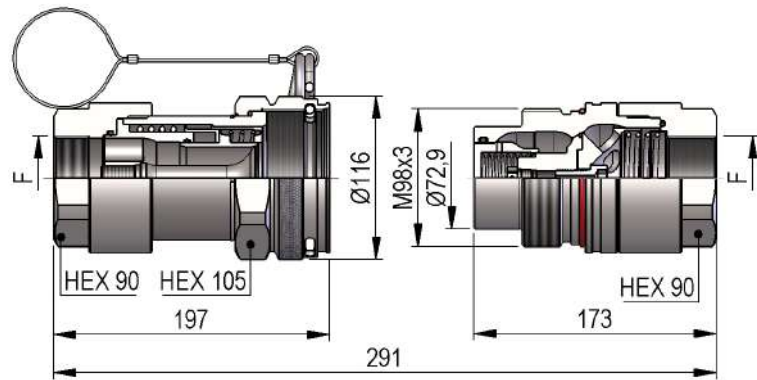
PVT4 CS DN39 - BG 7 - ISO 40



THREADS	F	STANDARD	FEMMINA - FEMALE - MUFFE - FEMELLE			MASCHIO - MALE - STECKER - MALE		
			COD. F	Weight (g)	Packaging (pcs.)	COD. M	Weight (g)	Packaging (pcs.)
IG 1	BSP 1"½	DIN 3852-2-X	PVT4.3939.112 CS	3840	3	PVT4.3939.113 CS	3743	5
	NPT 1"½	ANSI B1.20.3	PVT4.3939.012 CS	3855	3	PVT4.3939.013 CS	3773	5
IG 2	1"5/8-12 UN 2B	SAE J 1926-1	PVT4.3941.032 CS	3910	3	PVT4.3941.033 CS	3810	5
	1"7/8-12 UN 2B	SAE J 1926-1	PVT4.3947.032 CS	3830	3	PVT4.3947.033 CS	3733	5

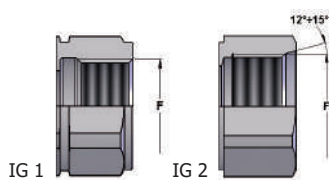


PVT4 CS DN50 - BG 8 - ISO 50



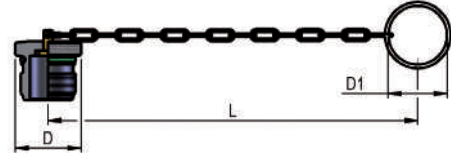
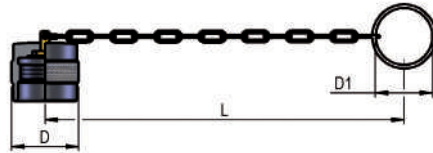
THREADS	F	STANDARD	FEMMINA - FEMALE - MUFFE - FEMELLE			MASCHIO - MALE - STECKER - MALE		
			COD. F	Weight (g)	Packaging (pcs.)	COD. M	Weight (g)	Packaging (pcs.)
IG 1	BSP 2"	DIN 3852-2-X	PVT4.5051.112 CS	6750	3	PVT4.5051.113 CS	6450	4
	NPT 2"	ANSI B1.20.3	PVT4.5051.012 CS	6780	3	PVT4.5051.013 CS	6480	4
IG 2	2"1/2-12 UN 2B	SAE J 1926-1	PVT4.5063.032 CS	6670	3	PVT4.5063.033 CS	6330	4

THREADS

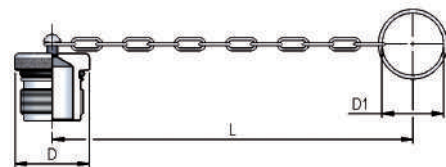
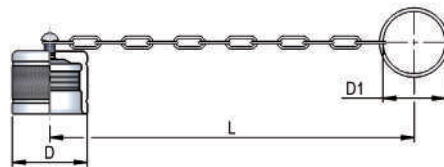
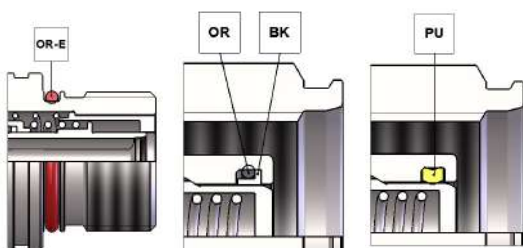


PLASTIC CAPS

NOMINAL SIZE			FEMALE DUST PLUG					MALE DUST CAP					COLOR	MATERIAL
DNP	BG	ISO	COD. F	Dimensions			Weight (g)	COD. M	Dimensions			Weight (g)		
				D	L	D1			D	L	D1			
13	2	10	SPVT.13002	38	220	32	38	SPVT.13003	36	220	32	36	●	PVC
20	3	12.5	SPVT.20002	45	220	32	48	SPVT.20003	45	220	32	48	●	PVC
22	4A	16	SPVT.20002	45	220	32	48	SPVT.20003	45	220	32	48	●	PVC
25	4	19	SPVT.25002	53	290	47.5	72	SPVT.25003	48	290	47.5	74	●	PVC
30	5	25	SPVT.30002	60	438	47.5	94	SPVT.30003	60	438	47.5	91	●	PVC


METAL CAPS

NOMINAL SIZE			FEMALE DUST PLUG					MALE DUST CAP					MATERIAL
DNP	BG	ISO	COD. F	Dimensions			Weight (g)	COD. M	Dimensions			Weight (g)	
				D	L	D1			D	L	D1		
13	2	10	SPVT.13202	36	205	32	46	SPVT.13203	36	205	32	53	Aluminum
20	3	12.5	SPVV.13202	41.5	205	32	57	SPVV.13203	41.5	205	32	66	Aluminum
22	4A	16	SPVV.13202	41.5	205	32	57	SPVV.13203	41.5	205	32	66	Aluminum
25	4	19	SPVT.25202	49.5	275	47.5	84	SPVT.25203	48	275	47.5	115	Aluminum
30	5	25	SPVT.30202	54.5	275	47.5	91	SPVT.30203	58	275	47.5	113	Aluminum
35	6	31.5	SPVT.35202	79.5	275	47.5	179	SPVT.35203	87	275	47.5	353	Aluminum
39	7	40	SPVT.39202	90	275	47.5	269	SPVT.39203	90	275	47.5	380	Aluminum
50	8	50	SPVT.50202	110	275	47.5	521	SPVT.50203	110	275	47.5	541	Aluminum


SPARE PARTS


NOMINAL SIZE			FEMALE GASKET	MALE GASKET		MALE GASKET
DNP	BG	ISO	OR-E (SILICONE)	OR (NBR)	BK (PTFE)	PU (POLYURETHANE)
13	2	10	PLT.319.031 S	PLT.013.120	PLT.013.130	PLK.013.210
20	3	12.5	PVT.019.121 S	PLT.019.120	PLT.019.130	PVT.019.210
22	4A	16	PVT.019.121 S	PLT.022.120	PLT.022.130	PVT.022.210
25	4	19	PVT.025.121 S	PLT.025.120	PLT.025.130	PVT.025.210
30	5	25	PVT.030.121 S	PLT.031.120	PLT.031.130	PVT.030.210
35	6	31.5	PVT.035.121 S	PLS.025.120	PLT.035.130	-
39	7	40	PVT.039.121 S	PLT.039.120	PLT.039.130	-
50	8	50	PVT.050.121 S	PLK.050.120	PLK.050.130	-