

**SCREW/ROFLEX**

VITE ALTA RESISTENZA  
 HIGH RESISTANCE SCREW COUPLINGS  
 SCHRAUBKUPPLUNGEN SCHWERER BAUREIHE  
 COUPLEURS A VISSER HAUTE RESISTANCE

**Caratteristiche tecniche I**

- Intercambiabilità: innesti RoFLEX
- Occlusione: valvola
- Aggancio: a vite
- Materiale: acciaio
- Finitura: Zn-Fe (Cr III)
- Filettature: BSP
- Guarnizioni standard: NBR
- Temperatura d'esercizio: -25 °C +100 °C
- Guarnizioni opzionali: FKM, EPDM o altro
- Pressioni di esercizio: 300-610 bar
- Connessione in pressione: consentita (lato maschio o lato femmina)

**Technical data E**

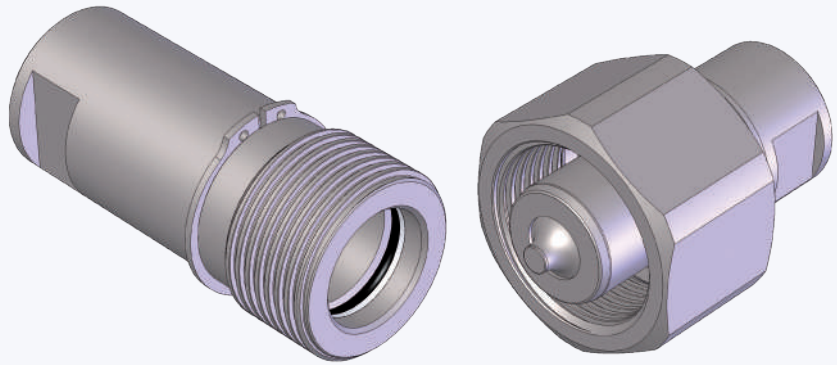
- Interchange: RoFLEX couplings
- Occlusion: poppet
- Locking: screw
- Material: steel
- Finishing: Zn-Fe (Cr III)
- Threads: BSP
- Standard seals: NBR
- Working temperature: -25 °C +100 °C
- Optional seals: FKM, EPDM or more
- Working pressure: 300-610 bar
- Connection under pressure: allowed (both male or female side)

**Technische Merkmale D**

- Austauschbarkeit: RoFLEX kupplungen
- Verschluss: ventil
- Kupplung: Schraubweise
- Werkstoff: Stahl
- Ausführung: Zn-Fe (Cr III)
- Gewinde: BSP
- Standard-Dichtungen: NBR
- Betriebstemperatur: -25 °C +100 °C
- Dichtungen nach Wahl: FKM, EPDM, usw.
- Betriebsdruck: 300-610 bar
- Kuppeln unter Druck: erlaubt (Steckerseite oder Muffeseite)

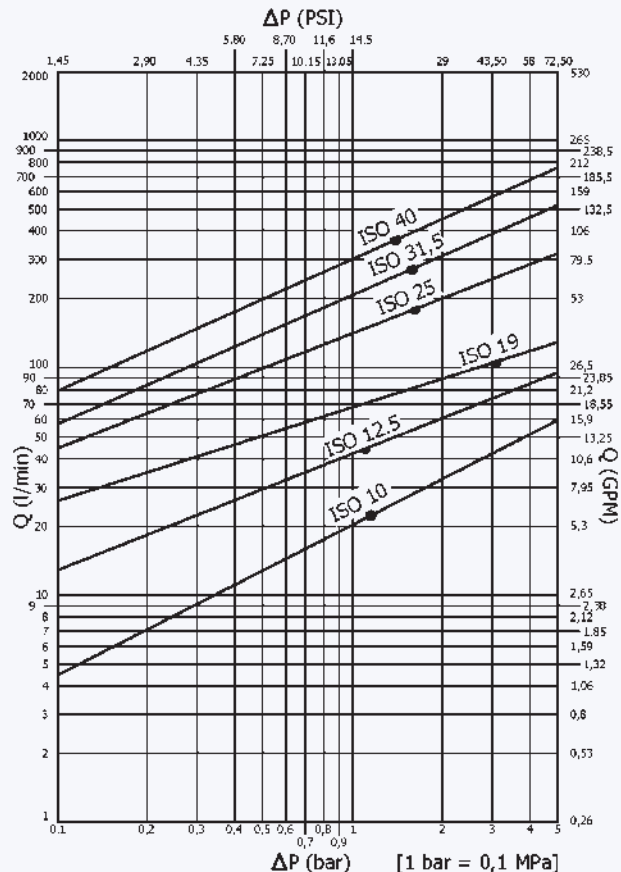
**Caracteristiques techniques F**

- Intercangeabilité: coupleurs RoFLEX
- Obturation: clapet
- Accrochage: a vissé
- Matériel: acier
- Traitement: Zn-Fe (Cr III)
- Taraudage: BSP
- Joints standard: NBR
- Température de service: -25 °C +100 °C
- Joints facultatifs: FKM, EPDM, ect.
- Pression de service: 300-610 bar
- Connexion sous pression: possible (côté male ou femelle)

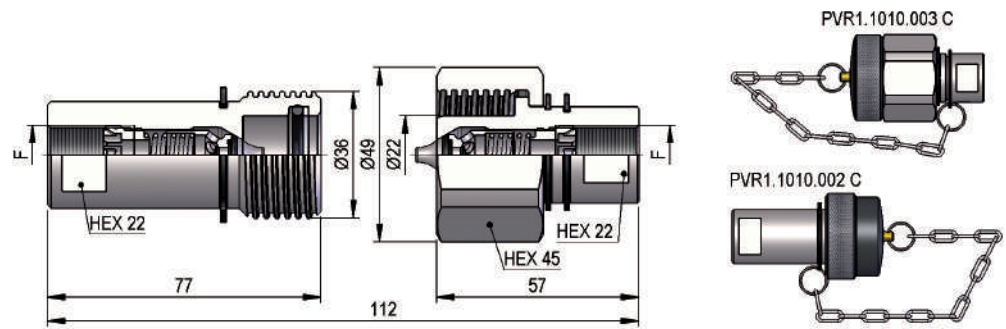


Nominal size				Max working pressure	Rated flow	Max flow rate	Min burst pressure			Fluid spillage
DNP	BG	ISO	mm				Male	Female	Coupled	
10	2	10	8	61	23	50	260	245	245	2
13	3	12.5	11.5	47	45	85	165	210	190	3
20	4	19	13.5	40	106	120	125	150	125	10
25	5	25	17.8	35	189	280	110	160	130	16
30	6	31.5	21.2	32	288	460	120	130	130	30
39	7	40	22.6	30	379	700	95	150	110	54

1 MPa = 145.04 psi • 1 l = 0.264 gal

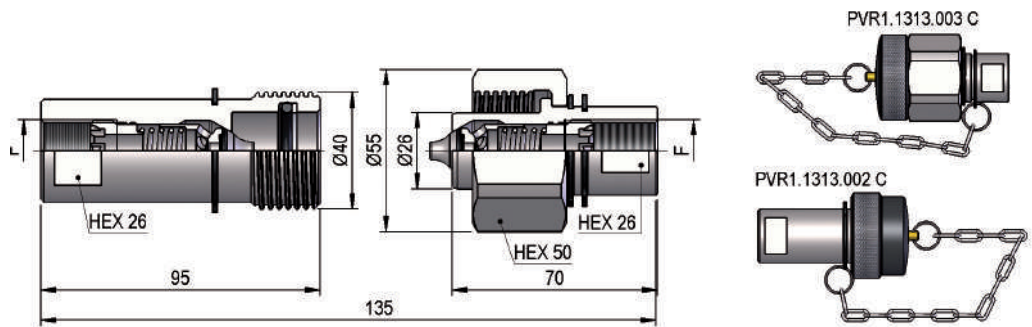


## PVR1 DN10 - BG 2 - ISO 10



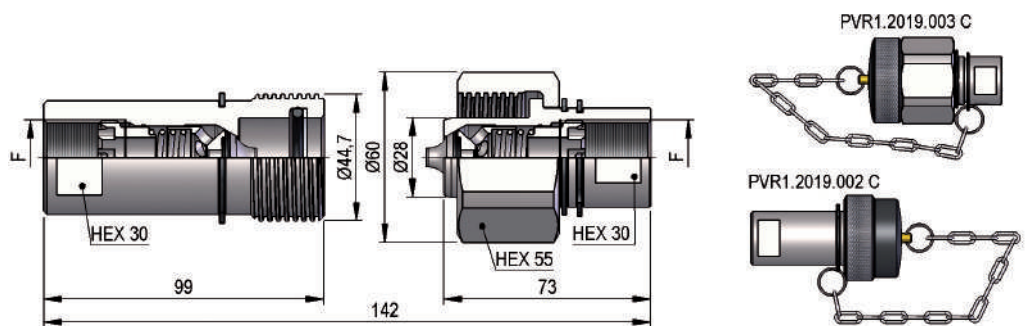
F	STANDARD	FEMMINA - FEMALE - MUFFE - FEMELLE			MASCIO - MALE - STECKER - MALE		
		COD. F	Weight (g)	Packaging (pcs.)	COD. M	Weight (g)	Packaging (pcs.)
BSP 3/8"	DIN 3852-2-X	PVR1.1010.002	318	45	PVR1.1010.003	352	24
BSP 3/8"	DIN 3852-2-X	PVR1.1010.002 C	371	32	PVR1.1010.003 C	410	20

## PVR1 DN13 - BG 3 - ISO 12.5



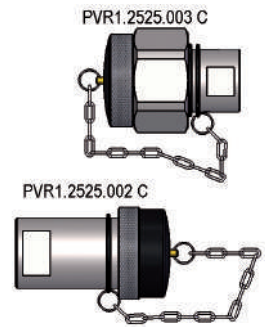
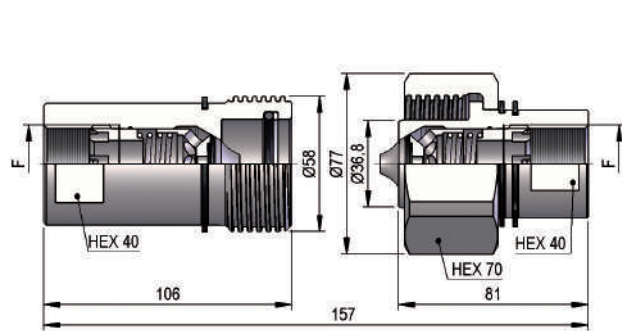
F	STANDARD	FEMMINA - FEMALE - MUFFE - FEMELLE			MASCIO - MALE - STECKER - MALE		
		COD. F	Weight (g)	Packaging (pcs.)	COD. M	Weight (g)	Packaging (pcs.)
BSP 1/2"	DIN 3852-2-X	PVR1.1313.002	484	24	PVR1.1313.003	480	15
BSP 1/2"	DIN 3852-2-X	PVR1.1313.002 C	540	24	PVR1.1313.003 C	566	15

## PVR1 DN20 - BG 4 - ISO 19



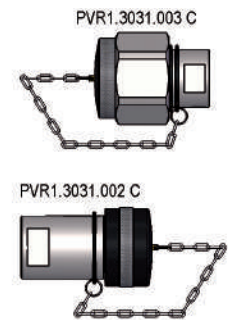
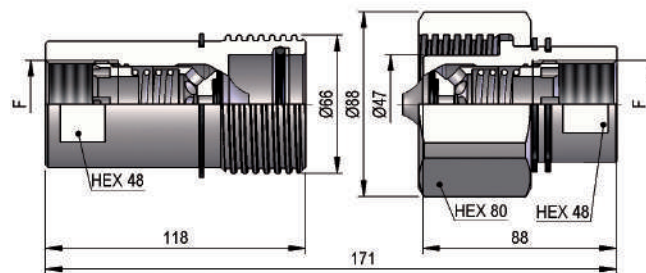
F	STANDARD	FEMMINA - FEMALE - MUFFE - FEMELLE			MASCIO - MALE - STECKER - MALE		
		COD. F	Weight (g)	Packaging (pcs.)	COD. M	Weight (g)	Packaging (pcs.)
BSP 3/4"	DIN 3852-2-X	PVR1.2019.002	660	18	PVR1.2019.003	599	13
BSP 3/4"	DIN 3852-2-X	PVR1.2019.002 C	728	18	PVR1.2019.003 C	680	13

## PVR1 DN25 - BG 5 - ISO 25



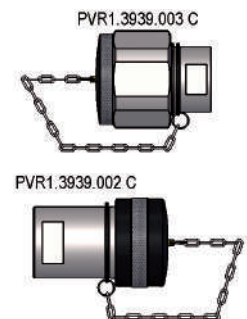
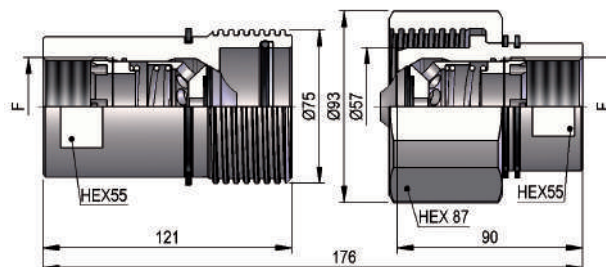
F	STANDARD	FEMMINA - FEMALE - MUFFE - FEMELLE			MASCIO - MALE - STECKER - MALE		
		COD. F	Weight (g)	Packaging (pcs.)	COD. M	Weight (g)	Packaging (pcs.)
BSP 1"	DIN 3852-2-X	PVR1.2525.002	1179	15	PVR1.2525.003	1147	11
BSP 1"	DIN 3852-2-X	PVR1.2525.002 C	1257	12	PVR1.2525.003 C	1258	11

## PVR1 DN30 - BG 6 - ISO 31.5



F	STANDARD	FEMMINA - FEMALE - MUFFE - FEMELLE			MASCIO - MALE - STECKER - MALE		
		COD. F	Weight (g)	Packaging (pcs.)	COD. M	Weight (g)	Packaging (pcs.)
BSP 1 1/4"	DIN 3852-2-X	PVR1.3031.002	1606	12	PVR1.3031.003	1803	6
BSP 1 1/4"	DIN 3852-2-X	PVR1.3031.002 C	1711	12	PVR1.3031.003 C	1928	6

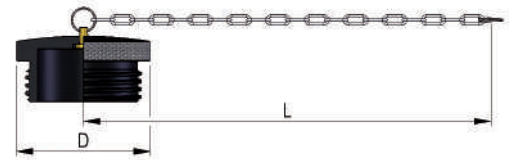
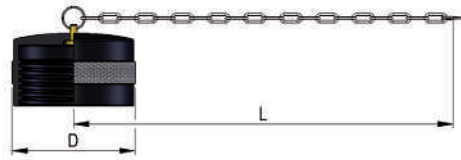
## PVR1 DN39 - BG 7 - ISO 40



F	STANDARD	FEMMINA - FEMALE - MUFFE - FEMELLE			MASCIO - MALE - STECKER - MALE		
		COD. F	Weight (g)	Packaging (pcs.)	COD. M	Weight (g)	Packaging (pcs.)
BSP 1 1/2"	DIN 3852-2-X	PVR1.3939.002	2006	8	PVR1.3939.003	2184	6
BSP 1 1/2"	DIN 3852-2-X	PVR1.3939.002 C	2139	8	PVR1.3939.003 C	2331	5

**PLASTIC CAPS**

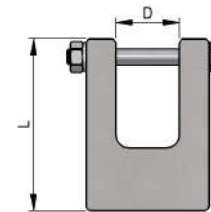
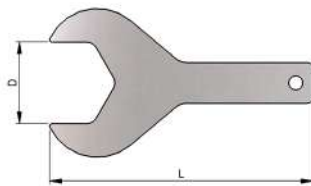
NOMINAL SIZE				FEMALE DUST PLUG			MALE DUST CAP			COLOR	MATERIAL	
DNP	BG	ISO	COD. F	Dimensions		Weight (g)	COD. M	Dimensions		Weight (g)	●	PVC
				D	L			D	L			
10	2	10	SPVR.10002	48	200	53	SPVR.10003	48	200	58	●	PVC
13	3	12.5	SPVR.13002	51	200	57	SPVR.13003	51	200	86	●	PVC
20	4	19	SPVR.20002	57	200	68	SPVR.20003	57	200	81	●	PVC
25	5	25	SPVR.25002	68	200	78	SPVR.25003	68	200	112	●	PVC
30	6	31.5	SPVR.30002	76	265	105	SPVR.30003	76	265	125	●	PVC
39	7	40	SPVR.39002	85	265	133	SPVR.39003	86	265	146	●	PVC



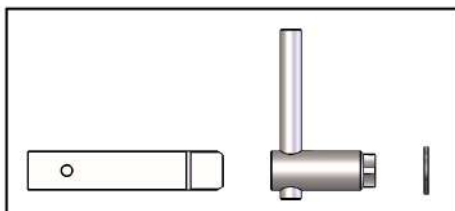
**TOOLS**

NOMINAL SIZE			SPANNER	Dimensions		Weight
DNP	BG	ISO	COD. (F)	D	L	(g)
10	2	10	CPVR.10	45.5	185	305
13	3	12.5	CPVR.13	50.5	189	325
20	4	19	CPVR.20	55.5	218	420
25	5	25	CPVR.25	70.5	227	740
30	6	31.5	CPVR.30	80.5	238	800
39	7	40	CPVR.39	87.5	251	935

NOMINAL SIZE			CLAMPING DEVICE	Dimensions		Weight
DNP	BG	ISO	COD. (F)	D	L	(g)
10	2	10	PPVR.10	22.5	81	278
13	3	12.5	PPVR.13	26.5	88	432
20	4	19	PPVR.20	30.5	94	486
25	5	25	PPVR.25	40.5	109	926
30	6	31.5	PPVR.30	48.5	118	1061
39	7	40	PPVR.39	55.5	125	1416



NOMINAL SIZE			ASSEMBLY TOOLS	Weight
DNP	BG	ISO	COD. (F)	(g)
10	2	10	VPVR.10	466
13	3	12.5	VPVR.13	488
20	4	19	VPVR.20	664
25	5	25	VPVR.25	915
30	6	31.5	VPVR.30	1236
39	7	40	VPVR.39	1573



**SPARE PARTS**

NOMINAL SIZE			MALE/FEMALE GASKET						
DNP	BG	ISO	SS (Thread Ring)	S (Spring)	V (Valve)	SR-1 (Seeger)	SR-2 (Seeger)	OR (NBR)	BK (PTFE)
10	2	10	PVR.010.020	PVR.010.010	PVR.010.001	PVR.010.176	PVR.010.160	PVV.013.120	PVR.010.130
13	3	12.5	PVR.013.020	PVR.013.010	PVR.013.001	PVR.013.176	PVR.010.176	PVR.013.120	PVR.013.130
20	4	19	PVR.019.020	PVR.019.010	PVR.019.001	PVR.019.176	PVR.013.176	PVR.019.120	PVR.019.130
25	5	25	PVR.025.020	PVR.025.010	PVR.025.001	PVR.025.176	PVR.025.160	PVR.025.120	PVR.025.130
30	6	31.5	PVR.030.020	PVR.030.010	PVR.030.001	PVR.030.176	PVR.030.160	PVR.030.120	PVR.030.130
39	7	40	PVR.039.020	PVR.039.010	PVR.039.001	PVR.039.176	PVR.039.160	PVR.039.120	PVR.039.130

