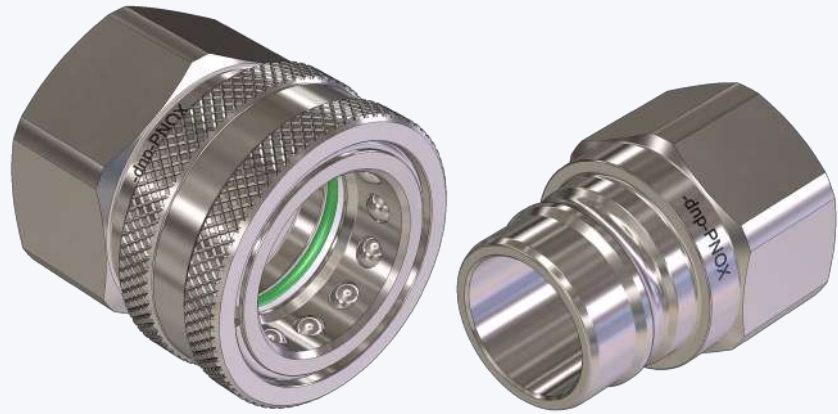


H SERIES/STAINLESS/FREE FLOW

PASSAGGIO LIBERO/INOX
 FREE FLOW/STAINLESS STEEL
 FREIER DURCHLAUF/EDELSTAHL
 PASSAGE LIBRE/ACIER INOX

Caratteristiche tecniche I

- Intercambiabilità: serie Parker/Snap-Tite H
- Occlusione: passaggio libero
- Aggancio: sfere radiali
- Materiale: acciaio inox AISI 316
- Filettature: BSP - NPT
- Guarnizioni standard: FKM
- Temperatura d'esercizio: -25 °C +200 °C
- Guarnizioni opzionali: FFKM, EPDM o altro
- Pressioni di esercizio: 200-400 bar


Technical data E

- Interchange: Parker/Snap-Tite H series
- Occlusion: free flow
- Locking: radial balls
- Material: stainless steel AISI 316
- Threads: BSP - NPT
- Standard seals: FKM
- Working temperature: -25 °C +200 °C
- Optional seals: FFKM, EPDM or more
- Working pressure: 200-400 bar

Nominal size				Max working pressure MPa	Rated flow l/min	Max flow rate l/min	Min burst pressure			Fluid spillage cc
DNP	BG	ISO	mm				Male	Female	Coupled	
06	1	6.3	6.3	40	10	20	-	-	120	-
10	2	10	9	40	23	46	-	-	140	-
13	3	12.5	11.5	40	45	90	-	-	150	-
20	4	19	17.5	25	185	370	-	-	78	-
25	5	25	24.2	20	285	570	-	-	62	-

1 MPa = 145.04 psi • 1 l = 0.264 gal

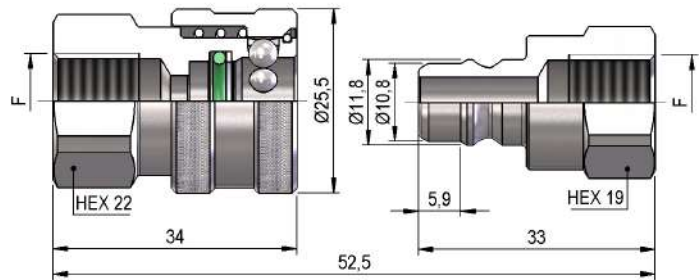
Technische Merkmale D

- Austauschbarkeit: Parker/Snap-Tite H Serie
- Verschluss: freier Durchlauf
- Kupplung: Radial Kugeln
- Werkstoff: rostfreiem Stahl AISI 316
- Gewinde: BSP - NPT
- Standard-Dichtungen: FKM
- Betriebstemperatur: -25 °C +200 °C
- Dichtungen nach Wahl: FFKM, EPDM, usw.
- Betriebsdruck: 200-400 bar

Caracteristiques techniques F

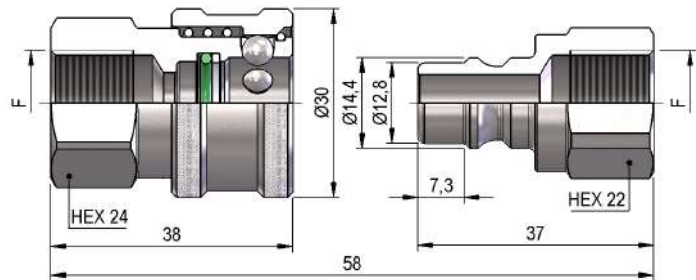
- Interchangeabilité: série Parker/Snap-Tite H
- Obturation: passage libre
- Accrochage: billes radiales
- Matériel: acier inoxydable AISI 316
- Taraudage: BSP - NPT
- Joints standard: FKM
- Température de service: -25 °C +200 °C
- Joints facultatifs: FFKM, EPDM, ect.
- Pression de service: 200-400 bar

PNOX DN06 - BG 1 - ISO 6.3



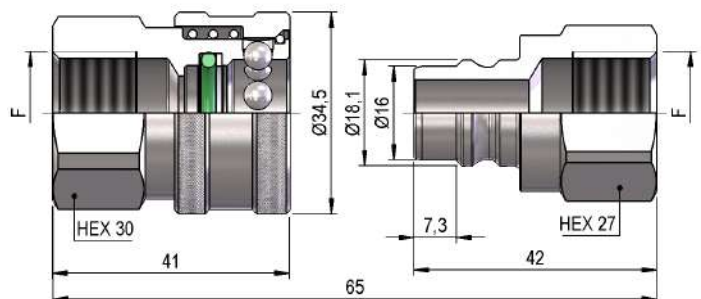
F	STANDARD	FEMMINA - FEMALE - MUFFE - FEMELLE			MASCIO - MALE - STECKER - MALE		
		COD. F	Weight (g)	Packaging (pcs.)	COD. M	Weight (g)	Packaging (pcs.)
BSP 1/4"	DIN 3852-2-X	PNOX.0606.002	81	180	PNOX.0606.003	33	308
NPT 1/4"	ANSI B1.20.3	PNOX.0606.012	81	180	PNOX.0606.013	33	308

PNOX DN10 - BG 2 - ISO 10

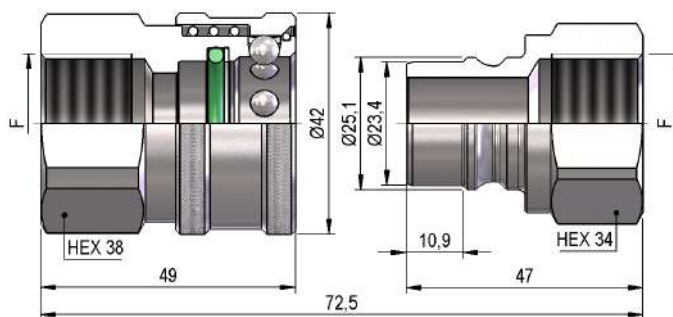


F	STANDARD	FEMMINA - FEMALE - MUFFE - FEMELLE			MASCIO - MALE - STECKER - MALE		
		COD. F	Weight (g)	Packaging (pcs.)	COD. M	Weight (g)	Packaging (pcs.)
BSP 3/8"	DIN 3852-2-X	PNOX.1010.002	107	144	PNOX.1010.003	42	240
NPT 3/8"	ANSI B1.20.3	PNOX.1010.012	110	144	PNOX.1010.013	44	240

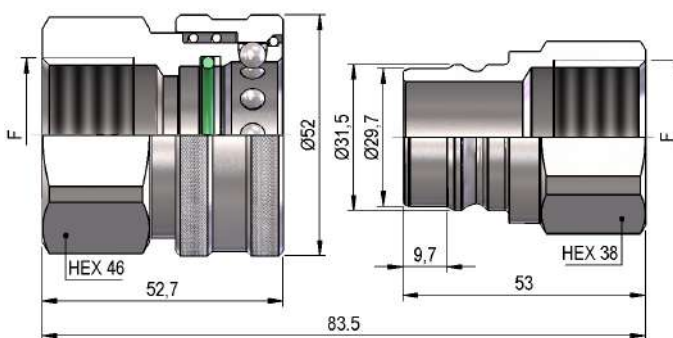
PNOX DN13 - BG 3 - ISO 12.5



F	STANDARD	FEMMINA - FEMALE - MUFFE - FEMELLE			MASCIO - MALE - STECKER - MALE		
		COD. F	Weight (g)	Packaging (pcs.)	COD. M	Weight (g)	Packaging (pcs.)
BSP 1/2"	DIN 3852-2-X	PNOX.1313.002	159	90	PNOX.1313.003	77	160
NPT 1/2"	ANSI B1.20.3	PNOX.1313.012	161	90	PNOX.1313.013	79	160

PNOX DN20 - BG 4 - ISO 19


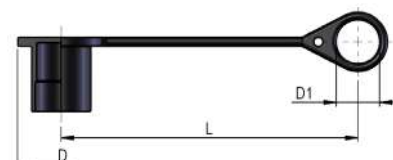
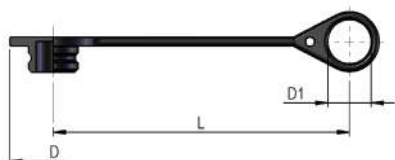
F	STANDARD	FEMMINA - FEMALE - MUFFE - FEMELLE			MASCHIO - MALE - STECKER - MALE		
		COD. F	Weight (g)	Packaging (pcs.)	COD. M	Weight (g)	Packaging (pcs.)
BSP 3/4"	DIN 3852-2-X	PNOX.2019.002	228	30	PNOX.2019.003	130	96
NPT 3/4"	ANSI B1.20.3	PNOX.2019.012	234	30	PNOX.2019.013	134	96

PNOX DN25 - BG 5 - ISO 25


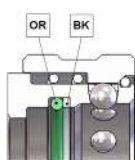
F	STANDARD	FEMMINA - FEMALE - MUFFE - FEMELLE			MASCHIO - MALE - STECKER - MALE		
		COD. F	Weight (g)	Packaging (pcs.)	COD. M	Weight (g)	Packaging (pcs.)
BSP 1"	DIN 3852-2-X	PNOX.2525.002	427	20	PNOX.2525.003	151	35
NPT 1"	ANSI B1.20.3	PNOX.2525.012	447	20	PNOX.2525.013	164	35

PLASTIC CAPS

NOMINAL SIZE			FEMALE DUST PLUG				MALE DUST CAP				COLOR	MATERIAL		
DNP	BG	ISO	COD. F	Dimensions			Weight (g)	COD. M	Dimensions			Weight (g)		
				D	L	D1			D	L	D1			
06	1	6.3	SPNV.06042	25	115	15	6	SPNV.06043	25	115	15	7	●	PVC
10	2	10	SPNV.10042	30	120	18	7	SPNV.10043	30	120	18	10	●	PVC
13	3	12.5	SPNV.13042	35	120	22	9	SPNV.13043	35	120	22	12	●	PVC
20	4	19	SPNV.20042	44	155	22	15	SPNV.20043	44	155	22	20	●	PVC
25	5	25	SPNV.25042	51	165	36	23	SPNV.25043	51	165	36	26	●	PVC



SPARE PARTS



NOMINAL SIZE			FEMALE GASKET	
DNP	BG	ISO	OR (KFM)	BK (PTFE)
06	1	6.3	PBV.004.120 V	PBV.004.130
10	2	10	PLK.013.120 V	PNV.010.130
13	3	12.5	PVS.006.120 V	PNV.013.130
20	4	19	PBV.013.120 V	PBV.013.130
25	5	25	PLT.325.031 V	PNV.025.130