

ISO 16028

MASCHIO INNESTABILE IN PRESSIONE
 MALE CONNECTABLE UNDER PRESSURE
 STECKER UNTER DRUCK KUPPELBAR
 MÂLE ACCOUPPLABLE SOUS PRESSION

Caratteristiche tecniche I

- Norma: ISO 16028 (DN06→DN30)
- Occlusione: faccia piana
- Aggancio: sfere radiali
- Materiale: acciaio ad alta resistenza
- Finitura: Zn-Fe (Cr III) e Zn-Ni
- Filettature: BSP - NPT - SAE - METRICHE
- Guarnizioni standard: NBR e PU
- Temperatura d'esercizio: -25 °C +100 °C
- Guarnizioni opzionali: FKM, EPDM o altro
- Pressioni di esercizio: 250-400 bar
- Connessione in pressione: consentita (solo lato maschio)
- Massima pressione residua: 250 bar

Technical data E

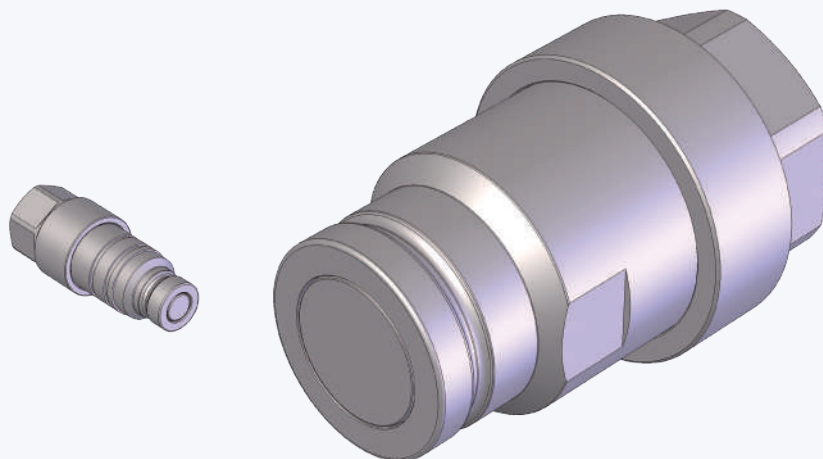
- Standard: ISO 16028 (DN06→DN30)
- Occlusion: flat face
- Locking: radial balls
- Material: high resistance steel
- Finishing: Zn-Fe (Cr III) and Zn-Ni
- Threads: BSP - NPT - SAE - METRIC
- Standard seals: NBR and PU
- Working temperature: -25 °C +100 °C
- Optional seals: FKM, EPDM or more
- Working pressure: 250-400 bar
- Connection under pressure: allowed (male side only)
- Max residual pressure: 250 bar

Technische Merkmale D

- Norm: ISO 16028 (DN06→DN30)
- Verschluss: flachdichtend
- Kupplung: Radial Kugeln
- Werkstoff: hochfester Stahl
- Ausführung: Zn-Fe (Cr III) und Zn-Ni
- Gewinde: BSP - NPT - SAE - METRISCHE
- Standard-Dichtungen: NBR und PU
- Betriebstemperatur: -25 °C +100 °C
- Dichtungen nach Wahl: FKM, EPDM, usw.
- Betriebsdruck: 250-400 bar
- Kuppeln unter Druck: erlaubt (nur männliche Seite)
- Max. Restdruck: 250 bar

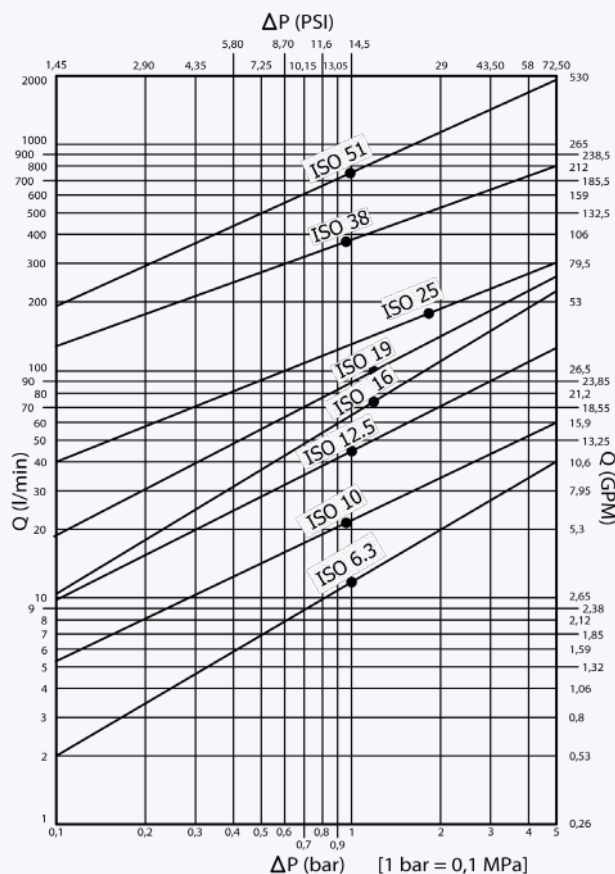
Caracteristiques techniques F

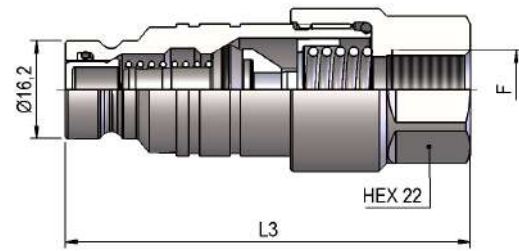
- Norme: ISO 16028 (DN06→DN30)
- Obturation: clapet plat
- Accrochage: billes radiales
- Matériel: acier à haute résistance
- Traitement: Zn-Fe (Cr III) et Zn-Ni
- Taraudage: BSP - NPT - SAE - METRIQUES
- Joints standard: NBR et PU
- Température de service: -25 °C +100 °C
- Joints facultatifs: FKM, EPDM, ect.
- Pression de service: 250-400 bar
- Connexion sous pression: possible (seulement côté male)
- Pression restante max: 250 bar



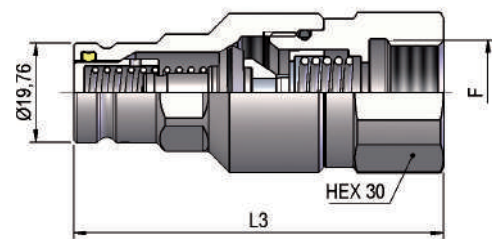
Nominal size				Max working pressure	Rated flow	Max flow rate	Min burst pressure			Fluid spillage
DNP	BG	ISO	mm				Male	Female	Coupled	
06	1	6.3	6	40	12	24	190	See PLT4	190	0.008
13	2	10	8.6	35	23	46	140	See PLT4	140	0.010
20	3	12.5	10.7	35	45	90	140	See PLT4	140	0.012
22	4A	16	12.8	35	74	150	140	See PLT4	140	0.015
25	4	19	14.8	30	100	200	120	See PLT4	120	0.020
30	5	25	17.6	30	189	280	120	See PLT4	120	0.030
39	7	38	30	25	379	700	100	See PLT1	110	0.050
50	8	51	40.6	25	757	1000	100	See PLT1	100	0.100

1 MPa = 145.04 psi • 1 l = 0.264 gal

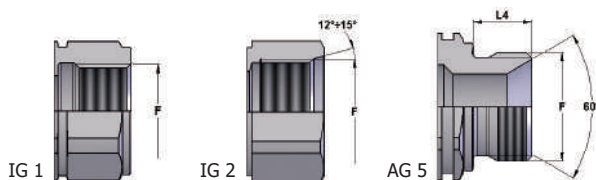


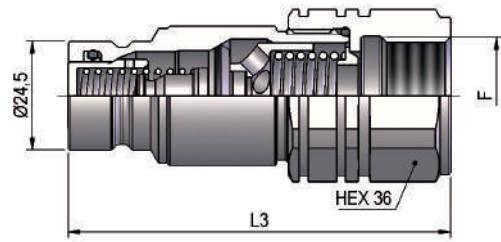
PLK4 DN06 - BG 1 - ISO 6.3


THREADS	L3	L4	F	STANDARD	FEMMINA - FEMALE - MUFFE - FEMELLE	MASCHIO - MALE - STECKER - MALE		
					COD. F	COD. M	Weight (g)	Packaging (pcs.)
IG 1	67.5		BSP 1/4"	DIN 3852-2-X	See PLT4 DN06	PLK4.0606.113	142	100
	67.5		NPT 1/4"	ANSI B1.20.3	See PLT4 DN06	PLK4.0606.013	143	100
IG 2	67.5		9/16"-18 UNF 2B	SAE J 1926-1	See PLT4 DN06	PLK4.0615.033	139	100
AG 5	79	12	BSP 1/4"	DIN 3852-2-A	See PLT4 DN06	PLK4.0606.713	156	100

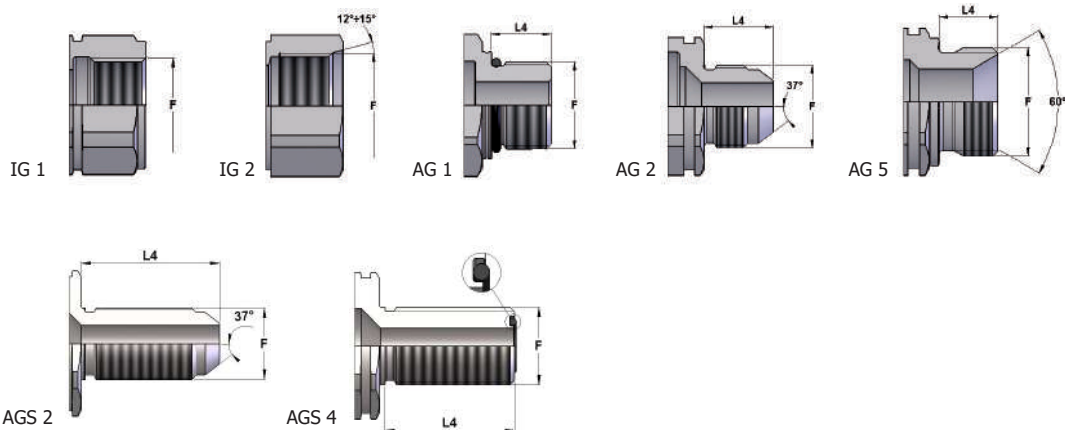
PLK4 DN13 - BG2- ISO 10


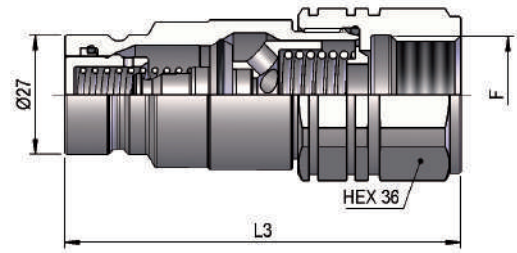
THREADS	L3	L4	F	STANDARD	FEMMINA - FEMALE - MUFFE - FEMELLE	MASCHIO - MALE - STECKER - MALE		
					COD. F	COD. M	Weight (g)	Packaging (pcs.)
IG 1	74		BSP 1/4"	DIN 3852-2-X	See PLT4 DN13	PLK4.1306.113	250	60
	74		BSP 3/8"	DIN 3852-2-X	See PLT4 DN13	PLK4.1310.113	240	60
	77.5		NPT 3/8"	ANSI B1.20.3	See PLT4 DN13	PLK4.1310.013	256	60
	74		BSP 1/2"	DIN 3852-2-X	See PLT4 DN13	PLK4.1313.113	226	60
	78		NPT 1/2"	ANSI B1.20.3	See PLT4 DN13	PLK4.1313.013	243	60
	74		M16x1.5	ISO 6149-1	See PLT4 DN13	PLK4.1316.103	243	60
	74		M18x1.5	ISO 6149-1	See PLT4 DN13	PLK4.1318.103	237	60
IG 2	75		9/16"-18 UNF 2B	SAE J 1926-1	See PLT4 DN13	PLK4.1315.033	251	60
	75		3/4"-16 UNF 2B	SAE J 1926-1	See PLT4 DN13	PLK4.1319.033	235	60
	75		M22x1.5	SAE J 2244/1	See PLT4 DN13	PLK4.1322.103	222	60
AG 5	75	13	BSP 1/2"	BS B5200	See PLT4 DN13	PLK4.1313.703	211	60

THREADS


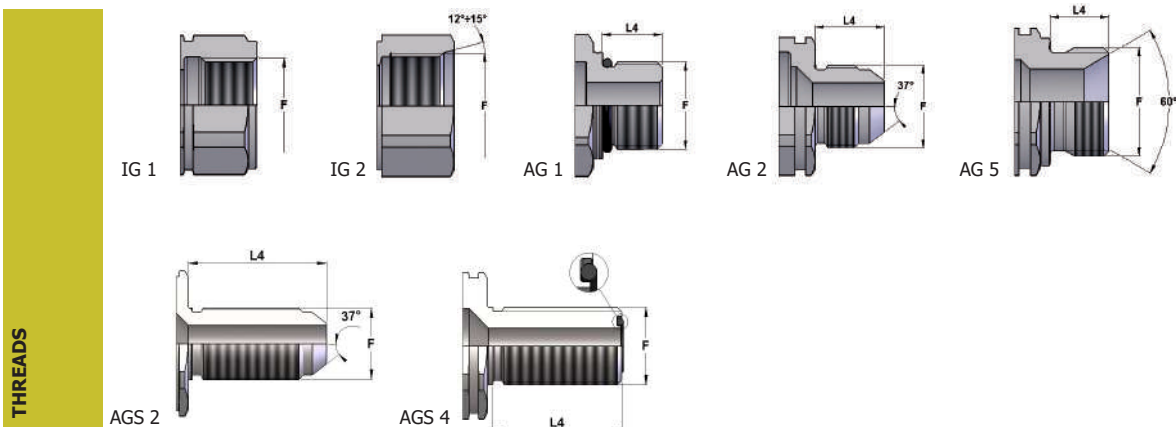
PLK4 DN20 - BG 3 - ISO 12.5


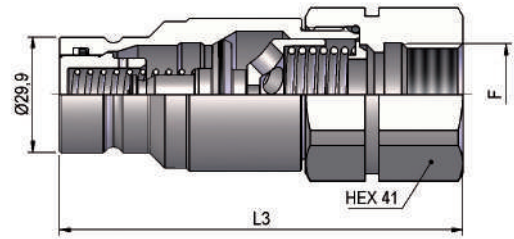
THREADS	L3	L4	F	STANDARD	FEMMINA - FEMALE - MUFFE - FEMELLE	MASCHIO - MALE - STECKER - MALE		
					COD. F	COD. M	Weight (g)	Packaging (pcs.)
IG 1	84.5		BSP 1/2"	DIN 3852-2-X	See PLT4 DN20	PLK4.2013.113	362	42
	86		NPT 1/2"	ANSI B1.20.3	See PLT4 DN20	PLK4.2013.013	375	42
	86		RC 1/2"	UNI ISO 7/1	See PLT4 DN20	PLK4.2013.043	376	42
	86.5		BSP 3/4"	DIN 3852-2-X	See PLT4 DN20	PLK4.2019.113	342	42
	86		NPT 3/4"	ANSI B1.20.3	See PLT4 DN20	PLK4.2019.013	347	42
	86		RC 3/4"	UNI ISO 7/1	See PLT4 DN20	PLK4.2019.043	351	42
	82.5		M18x1.5	ISO 6149-1	See PLT4 DN20	PLK4.2018.103	361	42
	82		M22x1.5	ISO 6149-1	See PLT4 DN20	PLK4.2022.103	344	42
	86		M26x1.5	ISO 6149-1	See PLT4 DN20	PLK4.2026.103	341	42
	86		M30x1.5	ISO 6149-1	See PLT4 DN20	PLK4.2030.103	314	42
IG 2	82		3/4"-16 UNF 2B	SAE J 1926-1	See PLT4 DN20	PLK4.2019.033	354	42
	86		7/8"-14 UNF 2B	SAE J 1926-1	See PLT4 DN20	PLK4.2023.033	366	42
	86		1"1/16-12 UN 2B	SAE J 1926-1	See PLT4 DN20	PLK4.2027.033	336	42
AG 1	87.5	18.5	1"1/16-12 UN 2A	SAE J 1926-3	See PLT4 DN20	PLK4.2027.333	329	42
AG 2	87.7	16.7	3/4"-16 UNF 2A	SAE J 514	See PLT4 DN20	PLK4.2019.303	308	42
	90.3	19.3	7/8"-14 UNF 2A	SAE J 514	See PLT4 DN20	PLK4.2023.303	317	42
	93	22	1"1/16-12 UN 2A	SAE J 514	See PLT4 DN20	PLK4.2027.303	332	42
AG 5	90	16	BSP 3/4"	DIN 3852-2-A	See PLT4 DN20	PLK4.2019.713	333	42
AGS 2	108.6	37.6	3/4"-16 UNF 2A	SAE J 514	See PLT4 DN20	PLK4.2019.503	347	42
	112.1	41.1	7/8"-14 UNF 2A	SAE J 514	See PLT4 DN20	PLK4.2023.503	352	42
	116.4	45.4	1"1/16-12 UN 2A	SAE J 514	See PLT4 DN20	PLK4.2027.503	384	42
AGS 4	109.5	38.5	1"-14 UNS 2A	SAE J 1453	See PLT4 DN20	PLK4.2025.533	383	42
	111	40	1"3/16-12 UN 2A	SAE J 1453	See PLT4 DN20	PLK4.2030.533	427	42

THREADS


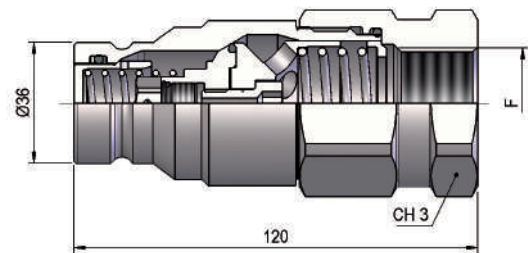
PLK4 DN22 - BG 4A - ISO 16


THREADS	L3	L4	F	STANDARD	FEMMINA - FEMALE - MUFFE - FEMELLE		MASCHIO - MALE - STECKER - MALE	
					COD. F	COD. M	Weight (g)	Packaging (pcs.)
IG 1	87.5		BSP 1/2"	DIN 3852-2-X	See PLT4 DN22	PLK4.2213.113	398	42
	89		NPT 1/2"	ANSI B1.20.3	See PLT4 DN22	PLK4.2213.013	411	42
	89		RC 1/2"	UNI ISO 7/1	See PLT4 DN22	PLK4.2213.043	412	42
	89.5		BSP 3/4"	DIN 3852-2-X	See PLT4 DN22	PLK4.2219.113	378	42
	89		NPT 3/4"	ANSI B1.20.3	See PLT4 DN22	PLK4.2219.013	383	42
	89		RC 3/4"	UNI ISO 7/1	See PLT4 DN22	PLK4.2219.043	387	42
	85.5		M18x1.5	ISO 6149-1	See PLT4 DN22	PLK4.2218.103	397	42
	85		M22x1.5	ISO 6149-1	See PLT4 DN22	PLK4.2222.103	380	42
	89		M26x1.5	ISO 6149-1	See PLT4 DN22	PLK4.2226.103	377	42
	89		M30x1.5	ISO 6149-1	See PLT4 DN22	PLK4.2230.103	350	42
IG 2	85		3/4"-16 UNF 2B	SAE J 1926-1	See PLT4 DN22	PLK4.2219.033	390	42
	89		7/8"-14 UNF 2B	SAE J 1926-1	See PLT4 DN22	PLK4.2223.033	402	42
	89		1"1/16-12 UN 2B	SAE J 1926-1	See PLT4 DN22	PLK4.2227.033	373	42
AG 1	90.5	18.5	1"1/16-12 UN 2A	SAE J 1926-3	See PLT4 DN22	PLK4.2227.333	365	42
AG 2	90.7	16.7	3/4"-16 UNF 2A	SAE J 514	See PLT4 DN22	PLK4.2219.303	344	42
	93.3	19.3	7/8"-14 UNF 2A	SAE J 514	See PLT4 DN22	PLK4.2223.303	353	42
	96	22	1"1/16-12 UN 2A	SAE J 514	See PLT4 DN22	PLK4.2227.303	369	42
AG 5	93	16	BSP 3/4"	DIN 3852-2-A	See PLT4 DN22	PLK4.2219.713	369	42
AGS 2	111.6	37.6	3/4"-16 UNF 2A	SAE J 514	See PLT4 DN22	PLK4.2219.503	383	42
	115.1	41.1	7/8"-14 UNF 2A	SAE J 514	See PLT4 DN22	PLK4.2223.503	388	42
	119.4	45.4	1"1/16-12 UN 2A	SAE J 514	See PLT4 DN22	PLK4.2227.503	420	42
AGS 4	112.5	38.5	1"-14 UNS 2A	SAE J 1453	See PLT4 DN22	PLK4.2225.533	419	42
	114	40	1"3/16-12 UN 2A	SAE J 1453	See PLT4 DN22	PLK4.2230.533	463	42

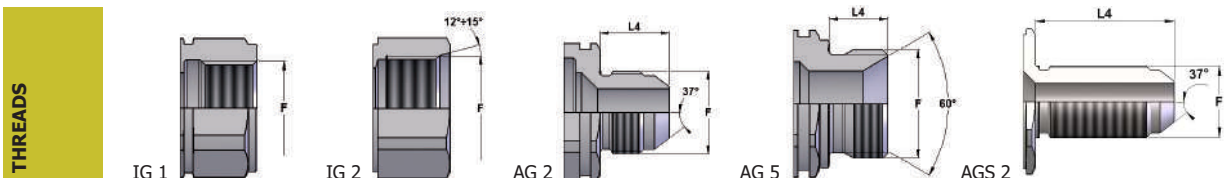

THREADS

PLK4 DN25 - BG 4 - ISO 19


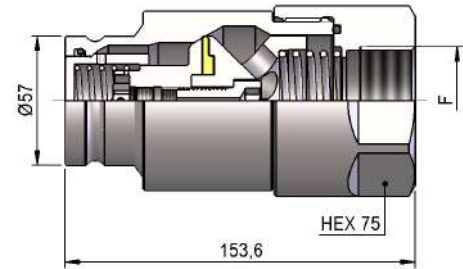
THREADS	L3	L4	F	STANDARD	FEMMINA - FEMALE - MUFFE - FEMELLE		MASCHIO - MALE - STECKER - MALE	
					COD. F	COD. M	Weight (g)	Packaging (pcs.)
IG 1	105		BSP 3/4"	DIN 3852-2-X	See PLT4 DN25	PLK4.2519.113	582	30
	105		NPT 3/4"	ANSI B1.20.3	See PLT4 DN25	PLK4.2519.013	589	30
	105		BSP 1"	DIN 3852-2-X	See PLT4 DN25	PLK4.2525.113	518	30
	105		NPT 1"	ANSI B1.20.3	See PLT4 DN25	PLK4.2525.013	531	30
	105		M30x1.5	ISO 6149-1	See PLT4 DN25	PLK4.2530.103	555	30
IG 2	105		1"1/16-12 UN 2B	SAE J 1926-1	See PLT4 DN25	PLK4.2527.033	576	30
	105		1"5/16-12 UN 2B	SAE J 1926-1	See PLT4 DN25	PLK4.2533.033	517	30
AG 2	109.1	23.1	1"5/16-12 UN 2A	SAE J 514	See PLT4 DN25	PLK4.2533.303	516	30
AGS 2	131.4	45.4	1"5/16-12 UN 2A	SAE J 514	See PLT4 DN25	PLK4.2533.503	627	30
AG 5	107	18	BSP 1"	DIN 3852-2-B	See PLT4 DN25	PLK4.2525.213	525	30
	103	17	BSP 1"	BS B5200	See PLT4 DN25	PLK4.2525.703	502	30
	105	16	BSP 3/4"	DIN 3852-2-A	See PLT4 DN25	PLK4.2519.713	500	30
	107	18	BSP 1"	DIN 3852-2-A	See PLT4 DN25	PLK4.2525.713	526	30

PLK4 DN30 - BG 5 - ISO 25


THREADS	CH3	F	STANDARD	FEMMINA - FEMALE - MUFFE - FEMELLE		MASCHIO - MALE - STECKER - MALE	
				COD. F	COD. M	Weight (g)	Packaging (pcs.)
IG 1	50	BSP 1"	DIN 3852-2-X	See PLT4 DN30	PLK4.3025.113	1038	8
	50	NPT 1"	ANSI B1.20.3	See PLT4 DN30	PLK4.3025.013	1045	8
	55	BSP 1"1/4	DIN 3852-2-X	See PLT4 DN30	PLK4.3031.113	1109	8
	55	NPT 1"1/4	ANSI B1.20.3	See PLT4 DN30	PLK4.3031.013	1123	8
IG 2	50	1"5/16-12 UN 2B	SAE J 1926-1	See PLT4 DN30	PLK4.3033.033	1028	8
	55	1"5/8-12 UN 2B	SAE J 1926-1	See PLT4 DN30	PLK4.3041.033	1111	8

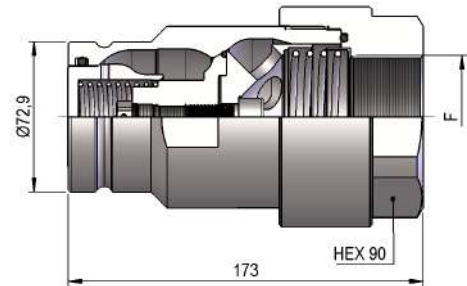


PLK4 DN39 - BG 7 - ISO 38



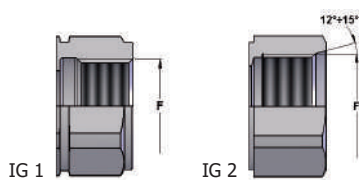
F	STANDARD	FEMMINA - FEMALE - MUFFE - FEMELLE	MASCHIO - MALE - STECKER - MALE		
		COD. F	COD. M	Weight (g)	Packaging (pcs.)
BSP 1"½	DIN 3852-2-X	See PLT1 DN39	PLK4.3939.113	3350	9
NPT 1"½	ANSI B1.20.3	See PLT1 DN39	PLK4.3939.013	3190	9

PLK4 DN50 - BG 8 - ISO 51



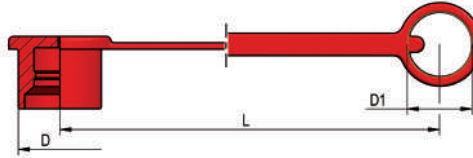
THREADS	F	STANDARD	FEMMINA - FEMALE - MUFFE - FEMELLE	MASCHIO - MALE - STECKER - MALE		
			COD. F	COD. M	Weight (g)	Packaging (pcs.)
IG 1	BSP 2"	DIN 3852-2-X	See PLT1 DN50	PLK4.5051.113	5400	6
	NPT 2"	ANSI B1.20.3	See PLT1 DN50	PLK4.5051.013	5430	6
	1"½	SAE 3000	See PLT1 DN50	PLK4.5051.003	6040	6
IG 2	2"½-12 UN 2B	SAE J 1926-1	See PLT1 DN50	PLK4.5063.033	5280	6

THREADS

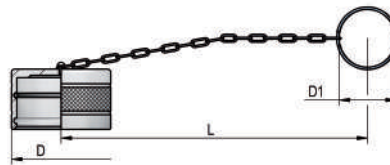
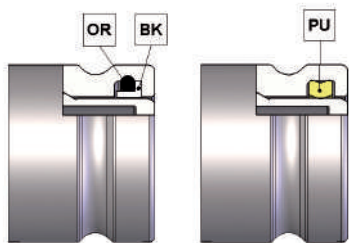


PLASTIC CAPS

NOMINAL SIZE				MALE DUST CAP				COLOR	MATERIAL
DNP	BG	ISO	COD. M	Dimensions			Weight		
				D	L	D1	(g)		
06	1	6.3	SPLT.06003	26	200	20	13		PVC
13	2	10	SPLT.13003	27.5	200	26	15		PVC
20	3	12.5	SPLT.20003	35	200	31.5	26		PVC
25	4	19	SPLT.25003	43	265	35	41		PVC
30	5	25	SPLT.30003	51	270	50	60		PVC


METAL CAPS

NOMINAL SIZE				MALE DUST CAP				MATERIAL
DNP	BG	ISO	COD. M	Dimensions			Weight	
				D	L	D1	(g)	
06	1	6.3	SPLT.06203	25	200	32	28	Aluminum
13	2	10	SPLT.13203	30	200	32	39	Aluminum
20	3	12.5	SPLT.20203	32	200	32	40	Aluminum
22	4A	16	SPLT.22203	35	200	32	43	Aluminum
25	4	19	SPLT.25203	40	275	47.5	66	Aluminum
30	5	25	SPLT.30203	45	275	47.5	71	Aluminum
39	7	38	SPLT.39203	68	275	47.5	155	Aluminum
50	8	51	SPLK.50203	83	275	47.5	210	Aluminum


SPARE PARTS


NOMINAL SIZE			MALE GASKET		MALE GASKET
DNP	BG	ISO	OR (NBR*)	BK (PTFE)	PU (POLYURETHANE)
06	1	6.3	PLT.006.120	PLT.006.130	-
13	2	10	PLT.013.120	PLT.013.130	PLK.013.210
20	3	12.5	PLT.019.120	PLT.019.130	PVT.019.210
22	4A	16	PLT.022.120	PLT.022.130	PVT.022.210
25	4	19	PLT.025.120	PLT.025.130	PVT.025.210
30	5	25	PLT.031.120	PLT.031.130	PVT.030.210
39	7	38	PLK.039.120	PLK.039.130	-
50	8	51	PLK.050.120	PLK.050.130	-

*AL CODICE DELLA GUARNIZIONE IN NBR AGGIUNGERE 'E' PER EPDM O 'V' PER VITON

*TO THE NBR GASKET CODE ADD 'E' FOR EPDM OR 'V' FOR VITON

*ZU DER ARTIKELNR. DER NBR DICHTUNG GEBEN SIE 'E' FUER EPDM ODER 'V' FUER VITON AN

*AU CODE DU JOINT EN NBR JOINDRE 'E' POUR EPDM OU 'V' POUR VITON