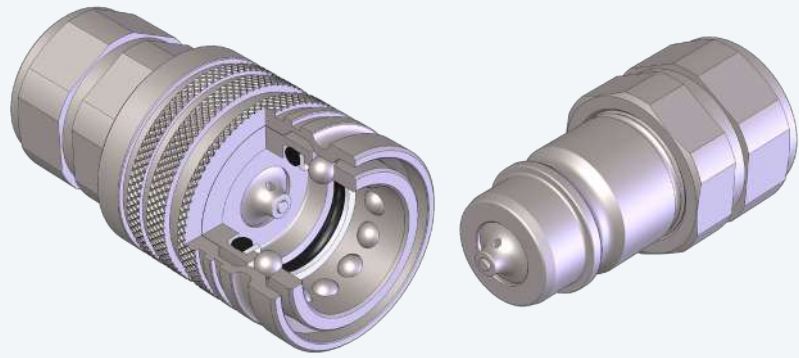


**PUSH PULL**

VALVOLA DECOMPRESSIONE  
 DECOMPRESSION VALVE  
 DEKOMPRESSIONSVENTIL  
 CLAPET DECOMPRESSION


**Caratteristiche tecniche I**

- Norma: ISO 7241 A
- Ghiera: doppia azione
- Occlusione: valvola decompressione
- Aggancio: sfere radiali
- Materiale: acciaio
- Finitura: Zn-Fe (Cr III)
- Filettature: BSP - NPT - SAE - METRICHE
- Guarnizioni standard: NBR
- Temperatura d'esercizio: -25 °C +100 °C
- Guarnizioni opzionali: FKM, EPDM o altro
- Pressioni di esercizio: 250 bar
- Connessione in pressione: consentita (lato maschio o lato femmina)

**Technical data E**

- Standard: ISO 7241 A
- Sleeve: double acting
- Occlusion: decompression valve
- Locking: radial balls
- Material: steel
- Finishing: Zn-Fe (Cr III)
- Threads: BSP - NPT - SAE - METRICS
- Standard seals: NBR
- Working temperature: -25 °C +100 °C
- Optional seals: FKM, EPDM or more
- Working pressure: 250 bar
- Connection under pressure: allowed (both male or female side)

Nominal size				Max working pressure	Rated flow	Max flow rate	Min burst pressure			Fluid spillage
DNP	BG	ISO	mm				Male	Female	Coupled	
13	3	12.5	10.5	25	45	90	100	150	110	2.7
20	4	20	15.7	25	106	190	120	140	110	9.3

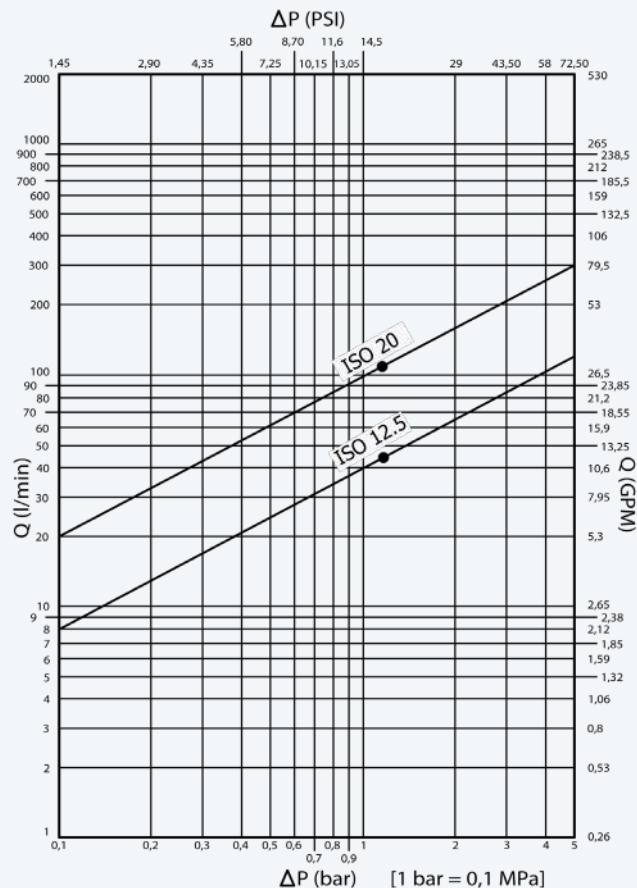
1 MPa = 145.04 psi • 1 l = 0.264 gal

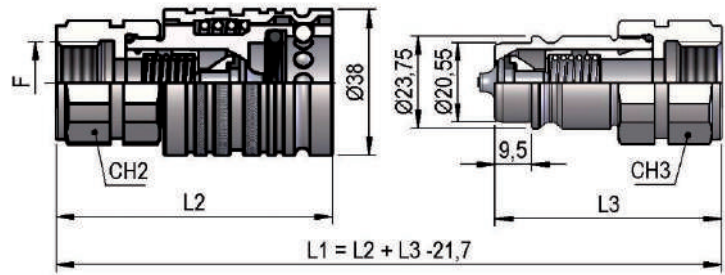
**Technische Merkmale D**

- Norm: ISO 7241 A
- Verschluss: Dekompressionsventil
- Kupplung: Radial Kugeln
- Werkstoff: Stahl
- Ausführung: Zn-Fe (Cr III)
- Gewinde: BSP - NPT - SAE - METRISCHE
- Standard-Dichtungen: NBR
- Betriebstemperatur: -25 °C +100 °C
- Dichtungen nach Wahl: FKM, EPDM, usw.
- Betriebsdruck: 250 bar
- Kuppeln unter Druck: erlaubt (Steckerseite oder Muffeseite)

**Caracteristiques techniques F**

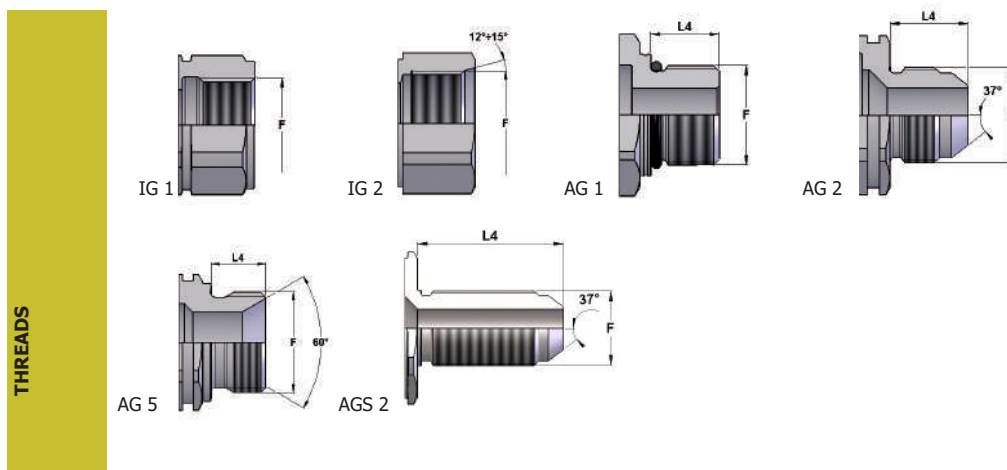
- Norme: ISO 7241 A
- Obturation: clapet décompression
- Accrochage: billes radiales
- Matériel: acier
- Traitement: Zn-Fe (Cr III)
- Taraudage: BSP - NPT - SAE - METRIQUES
- Joints standard: NBR
- Température de service: -25 °C +100 °C
- Joints facultatifs: FKM, EPDM, ect.
- Pression de service: 250 bar
- Connexion sous pression: possible (côté male ou femelle)



**PKK3 DN13 - BG 3 - ISO 12.5**


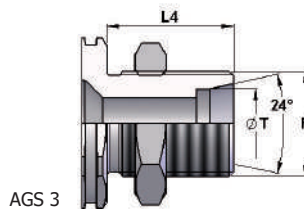
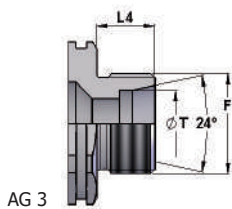
THREADS	CH2	L2	CH3	L3	L4	ØT	F	STANDARD	FEMMINA - FEMALE - MUFFE - FEMELLE			MASCHIO - MALE - STECKER - MALE		
									COD. F	Weight (g)	Packaging (pcs.)	COD. M	Weight (g)	Packaging (pcs.)
<b>IG 1</b>	30	72	30	59			BSP 3/8"	DIN 3852-2-X	PKK3.1310.112	324	35	PKK3.1310.113	166	60
	30	74.5	30	61.5			NPT 3/8"	ANSI B1.20.3	PKK3.1310.012	350	35	PKK3.1310.013	192	60
	30	72	30	59			BSP 1/2"	DIN 3852-2-X	PKK3.1313.112	320	35	PKK3.1313.113	162	60
	30	75	30	62			NPT 1/2"	ANSI B1.20.3	PKK3.1313.012	334	35	PKK3.1313.013	176	60
	36	77.5	36	64.5			BSP 3/4"	DIN 3852-2-X	PKK3.1319.112	373	35	PKK3.1319.113	215	40
	36	77.5	36	64.5			NPT 3/4"	ANSI B1.20.3	PKK3.1319.012	382	35	PKK3.1319.013	224	40
	30	72	30	59			M14x1.5	ISO 6149-1	PKK3.1314.102	333	35	PKK3.1314.103	175	60
	30	72	30	59			M16x1.5	ISO 6149-1	PKK3.1316.102	327	35	PKK3.1316.103	169	60
	30	72	30	59			M18x1.5	ISO 6149-1	PKK3.1318.102	321	35	PKK3.1318.103	163	60
	30	72	30	59			M20x1.5	ISO 6149-1	PKK3.1320.102	324	35	PKK3.1320.103	166	60
<b>IG 2</b>	27	72	27	59			BSP 3/8"	DIN 3852-2-X	PKK5.1310.112	310	35	PKK5.1310.113	152	76
	30	72	30	59			9/16"-18 UNF 2B	SAE J 1926-1	PKK3.1315.032	331	35	PKK3.1315.033	173	60
	30	72	30	59			3/4"-16 UNF 2B	SAE J 1926-1	PKK3.1319.032	326	35	PKK3.1319.033	168	60
	30	76	30	63			7/8"-14 UNF 2B	SAE J 1926-1	PKK3.1323.032	325	35	PKK3.1323.033	167	60
	30	74	30	61			M16x1.5	SAE J 2244/1	PKK3.1316.112	341	35	PKK3.1316.113	183	60
	30	72	30	59			M22x1.5	SAE J 2244/1	PKK3.1322.102	328	35	PKK3.1322.103	169	60
<b>AG 1</b>	27	72.1	27	59.1	11.1		3/4"-16 UNF 2A	SAE J 1926-3	PKK5.1319.332	292	35	PKK5.1319.333	134	76
	30	75	30	62	16		M20x1.5	ISO 6149-2	PKK3.1320.222	311	35	PKK3.1320.223	153	60
<b>AG 2</b>	30	73.1	30	60.1	14.1		9/16"-18 UNF 2A	SAE J 514	PKK3.1315.302	292	35	PKK3.1315.303	133	60
	30	75.7	30	62.7	16.7		3/4"-16 UNF 2A	SAE J 514	PKK3.1319.302	301	35	PKK3.1319.303	143	60
<b>AGS 2</b>	30	96.6	30	83.6	37.6		3/4"-16 UNF 2A	SAE J 514	PKK3.1319.502	328	35	PKK3.1319.503	170	60
	30	100.1	30	87.1	41.1		7/8"-14 UNF 2A	SAE J 514	PKK3.1323.502	344	35	PKK3.1323.503	186	60
<b>AG 5</b>	30	73.5	30	60.5	12		BSP 3/8"	DIN 3852-2-B	PKK3.1310.212	302	35	PKK3.1310.213	144	60
	30	76	30	63	13		BSP 1/2"	DIN 3852-2-B	PKK3.1313.212	310	35	PKK3.1313.213	152	60
	30	70	30	57	11		M16x1.5	DIN 3863-U	PKK3.1316.702	294	35	PKK3.1316.703	136	60
	30	75	30	62	16		M20x1.5	DIN 3863-U	PKK3.1320.702	307	35	PKK3.1320.703	148	60
	30	73	30	60	14		M22x1.5	DIN 3863-U	PKK3.1322.702	304	35	PKK3.1322.703	146	60

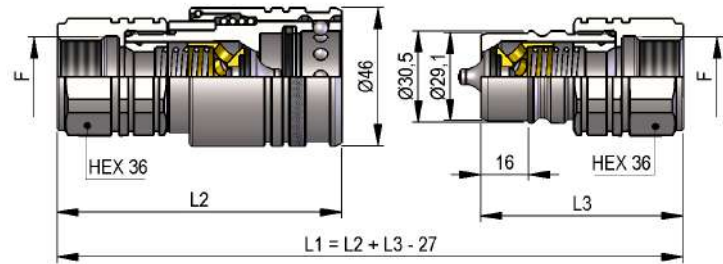
segue/follows/folgt/suite →



**PKK3 DN13 - BG 3 - ISO 12.5**

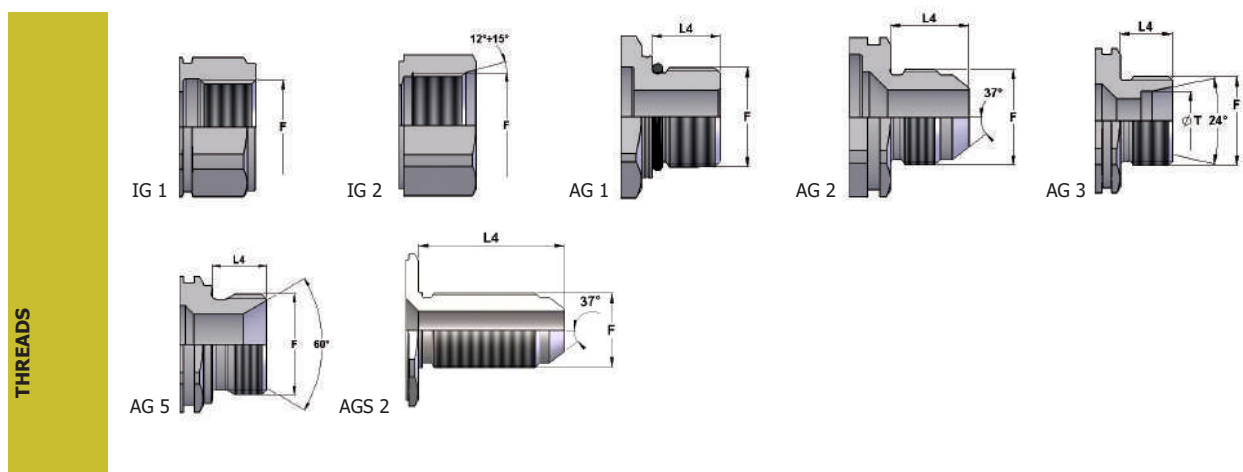
THREADS	CH2	L2	CH3	L3	L4	ØT	F	STANDARD	FEMMINA - FEMALE - MUFFE - FEMELLE			MASCHIO - MALE - STECKER - MALE		
									COD. F	Weight (g)	Packaging (pcs.)	COD. M	Weight (g)	Packaging (pcs.)
<b>AG 3</b>	30	69	30	56	10	Ø8L	M14x1.5	ISO 8434-1-L	PKK3.1314.302	292	35	PKK3.1314.303	134	60
	30	70	30	57	11	10L	M16x1.5	ISO 8434-1-L	PKK3.1316.302	293	35	PKK3.1316.303	135	60
	30	70	30	57	11	12L	M18x1.5	ISO 8434-1-L	PKK3.1318.302	294	35	PKK3.1318.303	136	60
	30	71	30	58	12	15L	M22x1.5	ISO 8434-1-L	PKK3.1322.302	299	35	PKK3.1322.303	141	60
	30	71	30	58	12	18L	M26x1.5	ISO 8434-1-L	PKK3.1326.302	304	35	PKK3.1326.303	146	60
	30	71	30	58	12	10S	M18x1.5	ISO 8434-1-S	PKK3.1318.402	299	35	PKK3.1318.403	141	60
	30	71	30	58	12	12S	M20x1.5	ISO 8434-1-S	PKK3.1320.402	301	35	PKK3.1320.403	143	60
	30	73	30	60	14	14S	M22x1.5	ISO 8434-1-S	PKK3.1322.402	306	35	PKK3.1322.403	148	60
	30	73	30	60	14	16S	M24x1.5	ISO 8434-1-S	PKK3.1324.402	307	35	PKK3.1324.403	149	60
	30	75	30	62	16	20S	M30x2	ISO 8434-1-S	PKK3.1330.402	323	35	PKK3.1330.403	165	60
	27	69	27	56	10	Ø8L	M14x1.5	ISO 8434-1-L	PKK5.1314.302	279	35	PKK5.1314.303	120	76
	27	70	27	57	11	10L	M16x1.5	ISO 8434-1-L	PKK5.1316.302	280	35	PKK5.1316.303	121	76
	27	70	27	57	11	12L	M18x1.5	ISO 8434-1-L	PKK5.1318.302	281	35	PKK5.1318.303	123	76
	27	71	27	58	12	15L	M22x1.5	ISO 8434-1-L	PKK5.1322.302	286	35	PKK5.1322.303	127	76
	27	71	27	58	12	18L	M26x1.5	ISO 8434-1-L	PKK5.1326.302	291	35	PKK5.1326.303	132	76
<b>AGS 3</b>	30	85	30	72	26	Ø8L	M14x1.5	ISO 8434-1-L	PKK3.1314.502	312	35	PKK3.1314.503	154	60
	30	85	30	72	26	10L	M16x1.5	ISO 8434-1-L	PKK3.1316.502	318	35	PKK3.1316.503	160	60
	30	85	30	72	26	12L	M18x1.5	ISO 8434-1-L	PKK3.1318.502	322	35	PKK3.1318.503	164	60
	30	95	30	82	36	12L	M18x1.5	ISO 8434-1-L	PKK3.1318.512	330	35	PKK3.1318.513	172	60
	30	86	30	73	27	15L	M22x1.5	ISO 8434-1-L	PKK3.1322.502	347	35	PKK3.1322.503	189	60
	30	86	30	73	27	18L	M26x1.5	ISO 8434-1-L	PKK3.1326.502	378	35	PKK3.1326.503	220	60
	30	86	30	73	27	10S	M18x1.5	ISO 8434-1-S	PKK3.1318.602	333	35	PKK3.1318.603	175	60
	30	86	30	73	27	12S	M20x1.5	ISO 8434-1-S	PKK3.1320.602	341	35	PKK3.1320.603	183	60
	30	88	30	75	29	14S	M22x1.5	ISO 8434-1-S	PKK3.1322.602	360	35	PKK3.1322.603	202	60
	30	88	30	75	29	16S	M24x1.5	ISO 8434-1-S	PKK3.1324.602	365	35	PKK3.1324.603	207	60
	30	88	30	75	29	20S	M30x2	ISO 8434-1-S	PKK3.1330.602	419	35	PKK3.1330.603	261	60
	27	85	27	72	26	12L	M18x1.5	ISO 8434-1-L	PKK5.1318.502	309	35	PKK5.1318.503	151	76
	27	86	27	73	27	15L	M22x1.5	ISO 8434-1-L	PKK5.1322.502	335	35	PKK5.1322.503	177	76

**THREADS**


**PKK3 DN20 - BG 4 - ISO 20**


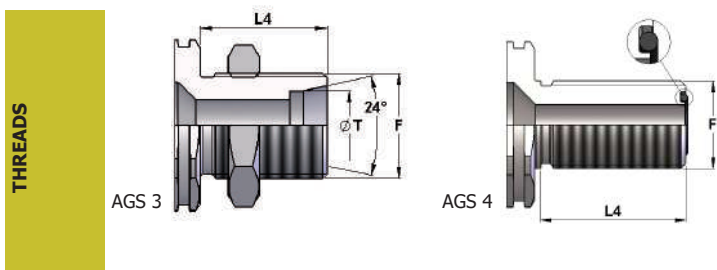
THREADS	L2	L3	L4	ØT	F	STANDARD	FEMMINA - FEMALE - MUFFE - FEMELLE			MASCHIO - MALE - STECKER - MALE		
							COD. F	Weight (g)	Packaging (pcs.)	COD. M	Weight (g)	Packaging (pcs.)
<b>IG 1</b>	92.8	65.5			BSP 1/2"	DIN 3852-2-X	PKK3.2013.112	623	24	PKK3.2013.113	288	42
	94.3	67			NPT 1/2"	ANSI B1.20.3	PKK3.2013.012	636	24	PKK3.2013.013	301	42
	94.8	67.5			BSP 3/4"	DIN 3852-2-X	PKK3.2019.112	603	24	PKK3.2019.113	268	42
	94.3	67			NPT 3/4"	ANSI B1.20.3	PKK3.2019.012	608	24	PKK3.2019.013	274	42
	90.8	63.5			M18x1.5	ISO 6149-1	PKK3.2018.102	622	24	PKK3.2018.103	287	42
	90.3	63			M22x1.5	ISO 6149-1	PKK3.2022.102	605	24	PKK3.2022.103	270	42
	94.3	67			M26x1.5	ISO 6149-1	PKK3.2026.102	602	24	PKK3.2026.103	267	42
	94.3	67			M30x1.5	ISO 6149-1	PKK3.2030.102	575	24	PKK3.2030.103	241	42
<b>IG 2</b>	90.3	63			3/4"-16 UNF 2B	SAE J 1926-1	PKK3.2019.032	615	24	PKK3.2019.033	280	42
	94.3	67			7/8"-14 UNF 2B	SAE J 1926-1	PKK3.2023.032	627	24	PKK3.2023.033	292	42
	94.3	67			1"1/16-12 UN 2B	SAE J 1926-1	PKK3.2027.032	597	24	PKK3.2027.033	263	42
<b>AG 1</b>	95.8	68.5	18.5		1"1/16-12 UN 2A	SAE J 1926-3	PKK3.2027.332	589	24	PKK3.2027.333	255	42
<b>AG 2</b>	96	68.7	16.7		3/4"-16 UNF 2A	SAE J 514	PKK3.2019.302	569	24	PKK3.2019.303	234	42
	98.6	71.3	19.3		7/8"-14 UNF 2A	SAE J 514	PKK3.2023.302	585	24	PKK3.2023.303	250	42
	101.3	74	22		1"1/16-12 UN 2A	SAE J 514	PKK3.2027.302	593	24	PKK3.2027.303	259	42
<b>AGS 2</b>	116.9	89.6	36.6		3/4"-16 UNF 2A	SAE J 514	PKK3.2019.502	608	10	PKK3.2019.503	273	30
	120.4	93.1	41.1		7/8"-14 UNF 2A	SAE J 514	PKK3.2023.502	612	10	PKK3.2023.503	278	30
	124.7	97.4	45.4		1"1/16-12 UN 2A	SAE J 514	PKK3.2027.502	645	10	PKK3.2027.503	310	30
<b>AG 5</b>	98.3	71	16		BSP 3/4"	DIN 3852-2-A	PKK3.2019.712	594	24	PKK3.2019.713	260	42
<b>AG 3</b>	90.3	63	11	12L	M18x1.5	ISO 8434-1-L	PKK3.2018.302	561	24	PKK3.2018.303	226	42
	91.3	64	12	15L	M22x1.5	ISO 8434-1-L	PKK3.2022.302	565	24	PKK3.2022.303	231	42
	91.3	64	12	18L	M26x1.5	ISO 8434-1-L	PKK3.2026.302	572	24	PKK3.2026.303	237	42
	93.3	66	14	22L	M30x2	ISO 8434-1-L	PKK3.2030.302	575	24	PKK3.2030.303	241	42
	91.3	64	12	10S	M18x1.5	ISO 8434-1-S	PKK3.2018.402	564	24	PKK3.2018.403	230	42
	91.3	64	12	12S	M20x1.5	ISO 8434-1-S	PKK3.2020.402	567	24	PKK3.2020.403	232	42
	93.3	66	14	14S	M22x1.5	ISO 8434-1-S	PKK3.2022.402	571	24	PKK3.2022.403	236	42
	93.3	66	14	16S	M24x1.5	ISO 8434-1-S	PKK3.2024.402	574	24	PKK3.2024.403	239	42
	95.3	68	16	20S	M30x2	ISO 8434-1-S	PKK3.2030.402	588	24	PKK3.2030.403	253	42

segue/follows/folgt/suite →



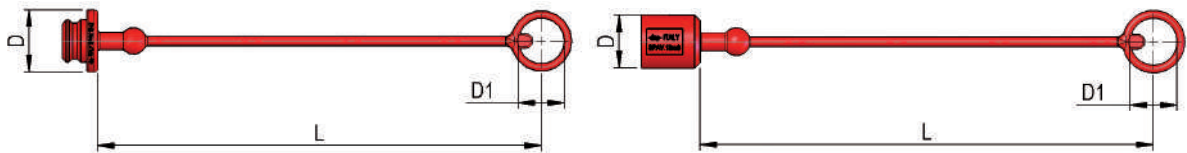
**PKK3 DN20 - BG 4 - ISO 20**

THREADS	L2	L3	L4	ØT	F	STANDARD	FEMMINA - FEMALE - MUFFE - FEMELLE			MASCHIO - MALE - STECKER - MALE		
							COD. F	Weight (g)	Packaging (pcs.)	COD. M	Weight (g)	Packaging (pcs.)
<b>AGS 3</b>	105.3	78	26	12L	M18x1.5	ISO 8434-1-L	PKK3.2018.502	589	10	PKK3.2018.503	254	30
	106.3	79	27	15L	M22x1.5	ISO 8434-1-L	PKK3.2022.502	614	10	PKK3.2022.503	279	30
	106.3	79	27	18L	M26x1.5	ISO 8434-1-L	PKK3.2026.502	646	10	PKK3.2026.503	311	30
	113.3	86	34	22L	M30x2	ISO 8434-1-L	PKK3.2030.502	682	10	PKK3.2030.503	348	30
	106.3	79	27	10S	M18x1.5	ISO 8434-1-S	PKK3.2018.602	597	10	PKK3.2018.603	262	30
	106.3	79	27	12S	M20x1.5	ISO 8434-1-S	PKK3.2020.602	608	10	PKK3.2020.603	273	30
	108.3	81	29	14S	M22x1.5	ISO 8434-1-S	PKK3.2022.602	623	10	PKK3.2022.603	289	30
	108.3	81	29	16S	M24x1.5	ISO 8434-1-S	PKK3.2024.602	631	10	PKK3.2024.603	296	30
	113.3	86	34	20S	M30x2	ISO 8434-1-S	PKK3.2030.602	677	10	PKK3.2030.603	343	30
<b>AGS 4</b>	117.8	90.5	38.5		1"-14 UNS 2A	SAE J 1453	PKK3.2025.532	644	10	PKK3.2025.533	310	30
	119.3	92	40		1"3/16-12 UN 2A	SAE J 1453	PKK3.2030.532	687	10	PKK3.2030.533	353	30

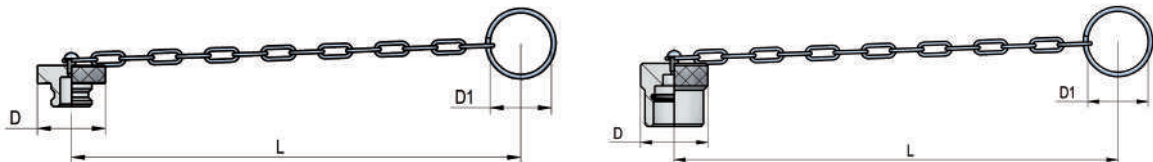
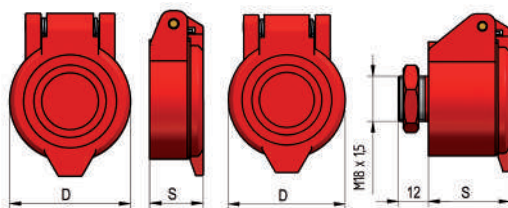


**PLASTIC CAPS**

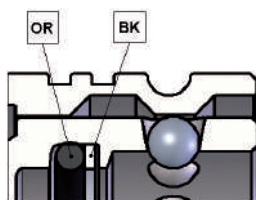
NOMINAL SIZE			FEMALE DUST PLUG					MALE DUST CAP					COLOR	MATERIAL
DNP	BG	ISO	COD. F	Dimensions			Weight	COD. M	Dimensions			Weight		
				D	L	D1	(g)		D	L	D1	(g)		
13	3	12.5	SPAV.13002	35	250	26	20	SPAV.13003	29	250	26	21	●	PVC
13	3	12.5	SPAV.13012	35	250	26	20	SPAV.13013	29	250	26	21	●	PVC
13	3	12.5	SPAV.13022	35	250	26	20	SPAV.13023	29	250	26	21	●	PVC
13	3	12.5	SPAV.13032	35	250	26	20	SPAV.13033	29	250	26	21	●	PVC
13	3	12.5	SPAV.13042	35	250	26	20	SPAV.13043	29	250	26	21	●	PVC
13	3	12.5	SPAV.13052	35	250	26	20	SPAV.13053	29	250	26	21	○	PVC
13	3	12.5	SPAV.13062	35	250	26	20	SPAV.13063	29	250	26	21	○	PVC
20	4	20	SPAV.20002	42	270	36	33	SPAV.20003	36.5	270	36	39	●	PVC
20	4	20	SPAV.20012	42	270	36	33	SPAV.20013	36.5	270	36	39	●	PVC
20	4	20	SPAV.20032	42	270	36	33	SPAV.20033	36.5	270	36	39	●	PVC
20	4	20	SPAV.20042	42	270	36	33	SPAV.20043	36.5	270	36	39	●	PVC
20	4	20	SPAV.20052	42	270	36	33	SPAV.20053	36.5	270	36	39	○	PVC
20	4	20	SPAV.20062	42	270	36	33	SPAV.20063	36.5	270	36	39	○	PVC


**METAL CAPS**

NOMINAL SIZE			FEMALE DUST PLUG					MALE DUST CAP					MATERIAL
DNP	BG	ISO	COD. F	Dimensions			Weight	COD. M	Dimensions			Weight	
				D	L	D1	(g)		D	L	D1	(g)	
13	3	12.5	SPAV.13202	38	205	32	51	SPAV.13203	38	205	32	70	Aluminum
20	4	20	SPAV.20202	45	275	47	66	SPAV.20203	45	275	47	107	Aluminum


**AUTOMATIC CAPS**


NOMINAL SIZE			AUTOMATIC FEMALE CAP				AUTOMATIC MALE CAP				COLOR	MATERIAL
DNP	BG	ISO	COD. F	Dimensions		Weight	COD. M	Dimensions		Weight		
				D	S	(g)		D	S	(g)		
13	3	12.5	SPPV.13302	46	18.4	24	SPPV.13303	46	33	60	●	Nylon
13	3	12.5	SPPV.13312	46	18.4	24	-	-	-	-	●	Nylon
13	3	12.5	SPPV.13322	46	18.4	24	-	-	-	-	●	Nylon
13	3	12.5	SPPV.13332	46	18.4	24	SPPV.13333	46	33	60	●	Nylon
13	3	12.5	SPPV.13342	46	18.4	24	SPPV.13343	46	33	60	●	Nylon

**SPARE PARTS**


NOMINAL SIZE			FEMALE GASKET	
DNP	BG	ISO	OR (NBR*)	BK (PTFE)
13	3	12.5	PPV.013.120	PPV.013.130
20	4	20	PAV.019.120	PAV.019.130

\*AL CODICE DELLA GUARNIZIONE IN NBR AGGIUNGERE 'E' PER EPDM O 'V' PER VITON

\*TO THE NBR GASKET CODE ADD 'E' FOR EPDM OR 'V' FOR VITON

\*ZU DER ARTIKELNR. DER NBR DICHTUNG GEBEN SIE 'E' FUER EPDM ODER 'V' FUER VITON AN

\*AU CODE DU JOINT EN NBR JOINDRE 'E' POUR EPDM OU 'V' POUR VITON