

PKK3

PUSH PULL/DECOMPRESSION

VALVOLA DECOMPRESSIONE

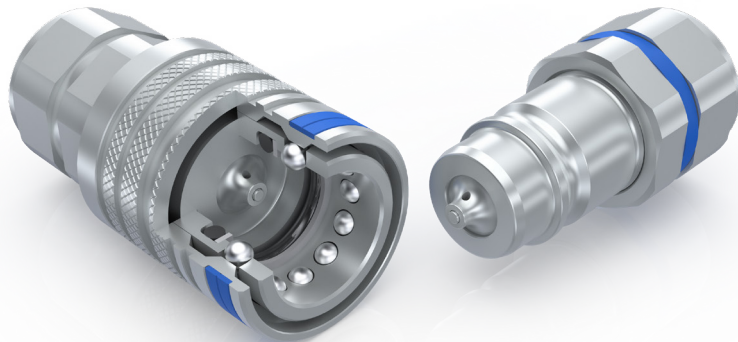
DECOMPRESSION VALVE

DEKOMPRESSIONSVENTIL

CAPLET DECOMPRESSION

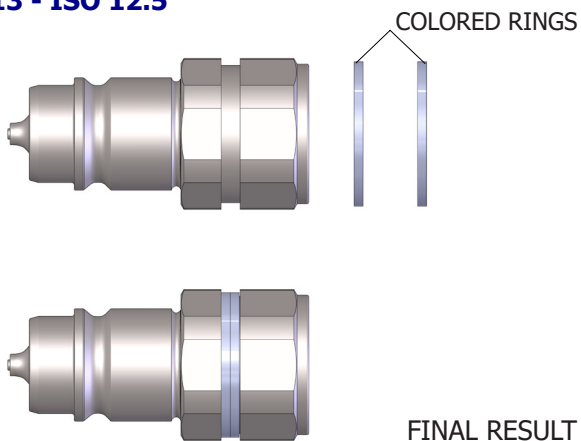
PKK3 DN13 - ISO 12.5 (p.18)

PKK3 DN20 - ISO 20 (p.18)



PKK3 DN13 - ISO 12.5

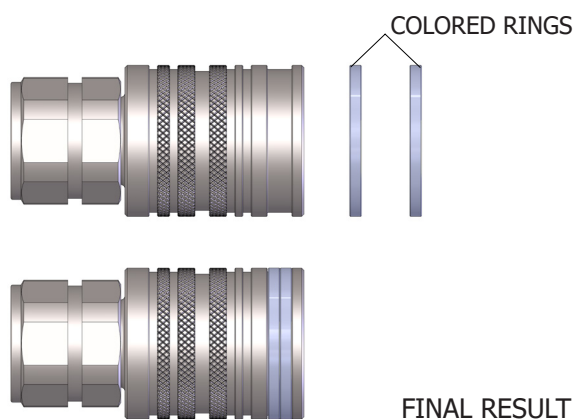
MALE



PKK3 DN13 - ISO 12.5

CODE	COLOR	MATERIAL
PVT.006.905	Red	PU
PVT.006.915	Yellow	PU
PVT.006.925	Green	PU
PVT.006.935	Blue	PU
PVT.006.945	Black	PU
PVT.006.955	White	PU
PVT.006.965	Grey	PU
PVT.006.975	Orange	PU
PVT.006.985	Purple	PU
PVT.006.995	Brown	PU

FEMALE

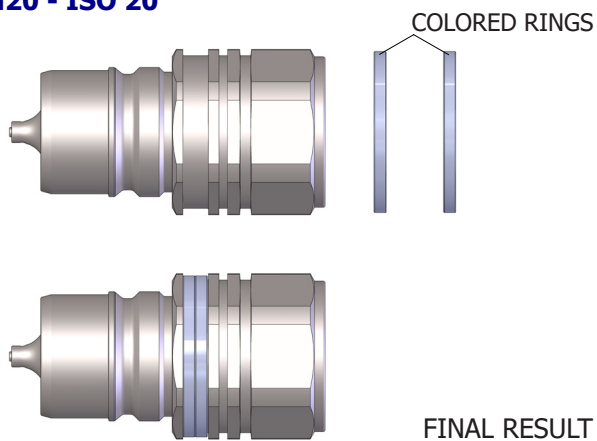


PKK3 DN13 - ISO 12.5

CODE	COLOR	MATERIAL
PST.013.905	Red	TEE
PST.013.915	Yellow	TEE
PST.013.925	Green	TEE
PST.013.935	Blue	TEE
PST.013.945	Black	TEE
PST.013.955	White	TEE
PST.013.965	Grey	TEE
PST.013.975	Orange	TEE
PST.013.985	Purple	TEE
PST.013.995	Brown	TEE

PKK3 DN20 - ISO 20

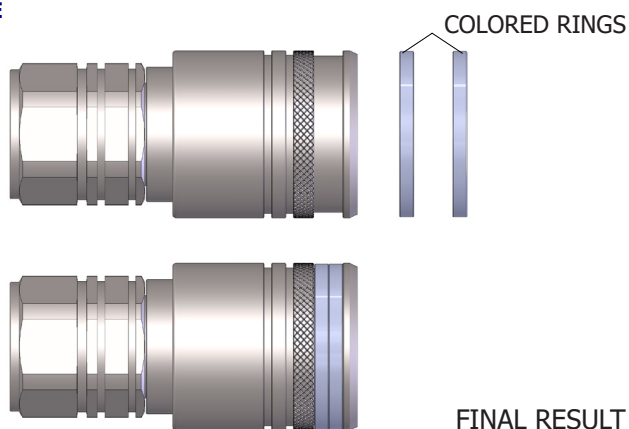
MALE



PKK3 DN20 - ISO 20

CODE	COLOR	MATERIAL
PST.013.905	Red	TEE
PST.013.915	Yellow	TEE
PST.013.925	Green	TEE
PST.013.935	Blue	TEE
PST.013.945	Black	TEE
PST.013.955	White	TEE
PST.013.965	Grey	TEE
PST.013.975	Orange	TEE
PST.013.985	Purple	TEE
PST.013.995	Brown	TEE

FEMALE



PKK3 DN20 - ISO 20

CODE	COLOR	MATERIAL
PST.019.905	Red	TEE
PST.019.915	Yellow	TEE
PST.019.925	Green	TEE
PST.019.935	Blue	TEE
PST.019.945	Black	TEE
PST.019.955	White	TEE
PST.019.965	Grey	TEE
PST.019.975	Orange	TEE
PST.019.985	Purple	TEE
PST.019.995	Brown	TEE