

## FLAT FACE/VEP/STEEL

VITE VALVOLA PIANA/ACCIAIO

FLAT FACE SCREW COUPLINGS/STEEL

FLACHDICHTENDE SCHRAUBKUPPLUNGEN/STAHL

COUPLEURS FACE PLANE À VISSER/ACIER

**PST4 DN06 - ISO 6.3** (p.22)

**PST4 DN13 - ISO 10** (p.23)

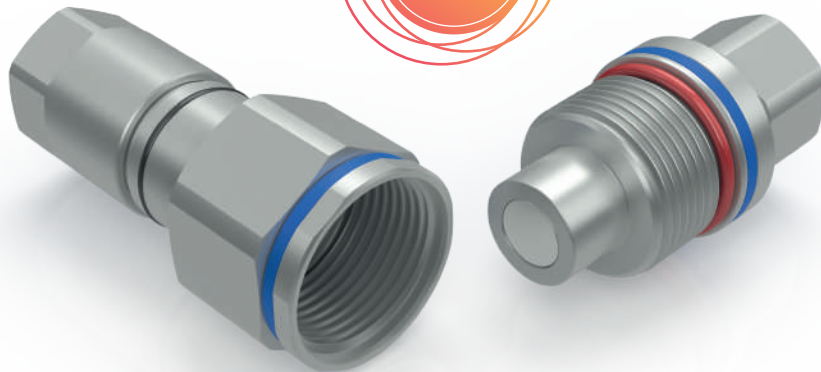
**PST4 DN20 - ISO 12.5** (p.24)

**PST4 DN22 - ISO 16** (p.25)

**PST4 DN25 - ISO 19** (p.26)

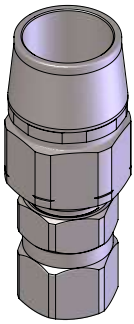
**PST4 DN30 - ISO 25** (p.27)

**PST4 DN39 - ISO 40** (p.28)

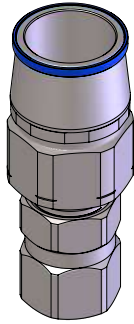


## FEMALE: GENERAL ASSEMBLY INSTRUCTIONS

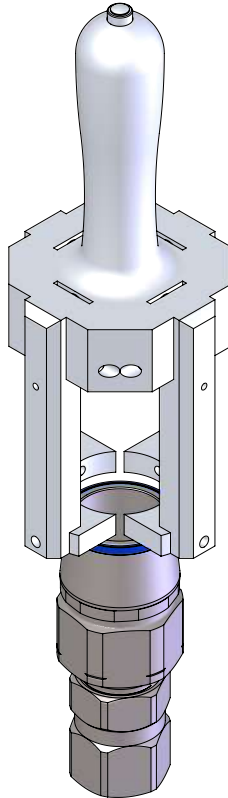
STEP 1:  
INSERT THE  
CONE



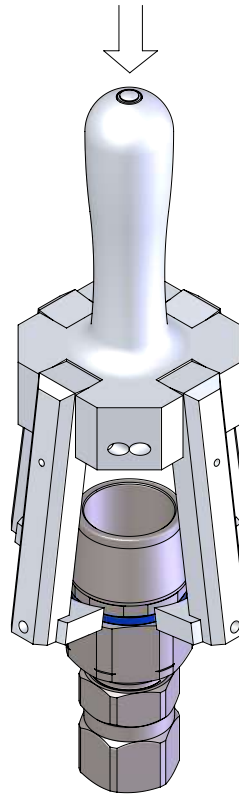
STEP 2:  
INSERT THE  
COLOR BAND



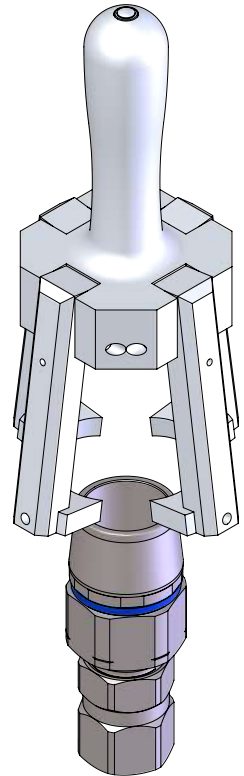
STEP 3:  
PUSH THE BAND  
INTO THE SEAT



STEP 4:  
PUSH THE BUTTON AND PULL  
OUT THE MANUAL TOOL

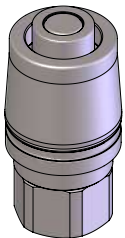


STEP 5:  
RELEASE THE BUTTON AND REPEAT  
THE SEQUENCE FROM STEP 1 ON  
A NEW COUPLING



## MALE: GENERAL ASSEMBLY INSTRUCTIONS

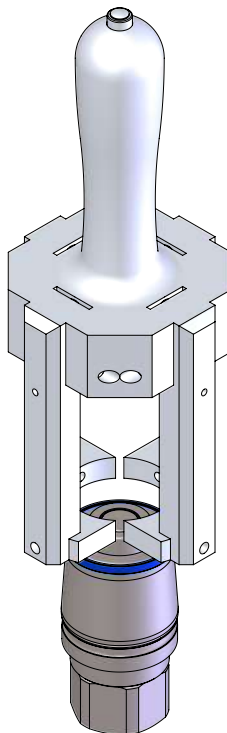
STEP 1:  
INSERT THE  
CONE



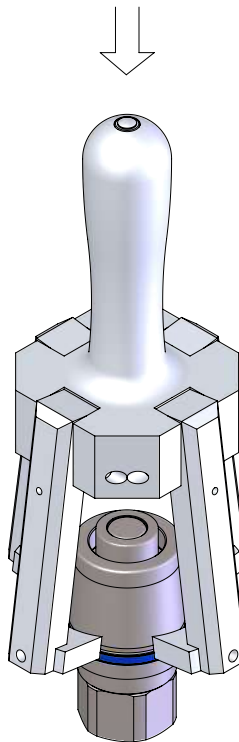
STEP 2:  
INSERT THE  
COLOR BAND



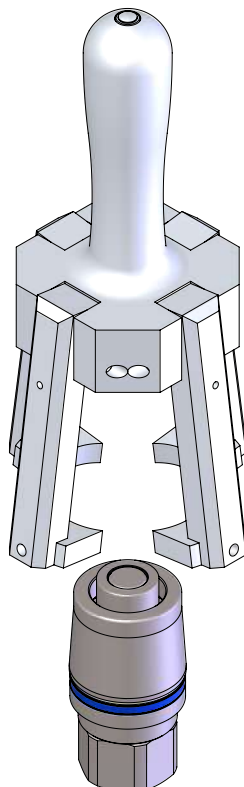
STEP 3:  
PUSH THE BAND  
INTO THE SEAT



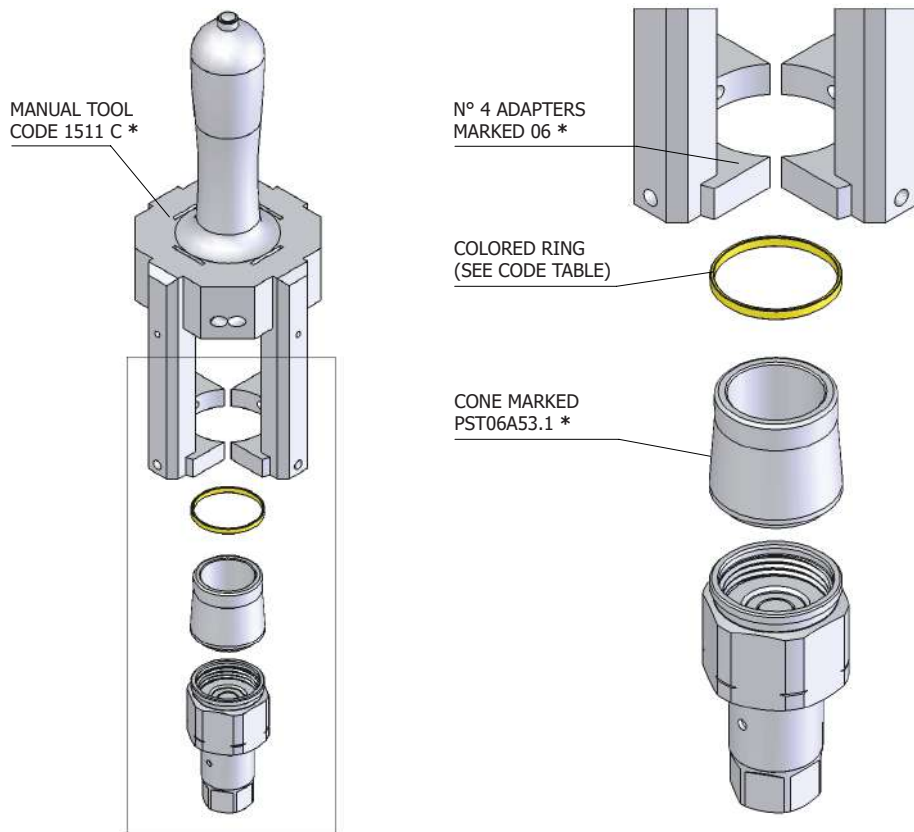
STEP 4:  
PUSH THE BUTTON AND PULL  
OUT THE MANUAL TOOL



STEP 5:  
RELEASE THE BUTTON AND REPEAT  
THE SEQUENCE FROM STEP 1 ON  
A NEW COUPLING



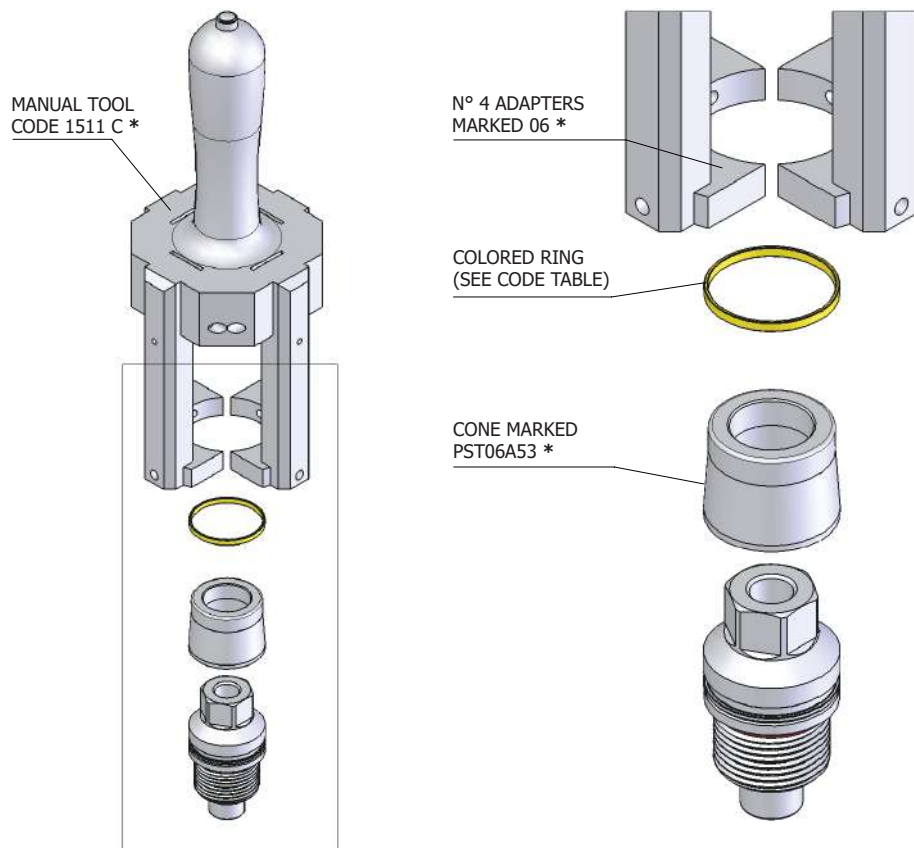
## FEMALE: ASSEMBLY INSTRUCTIONS OF COLORED RINGS/PART NUMBERS



\* OPTIONAL

PST4 DN06 - ISO 6.3		
CODE	COLOR	MATERIAL
PST.006.905	Red	TEE
PST.006.915	Yellow	TEE
PST.006.925	Green	TEE
PST.006.935	Blue	TEE
PST.006.945	Black	TEE
PST.006.955	White	TEE
PST.006.965	Grey	TEE
PST.006.975	Orange	TEE
PST.006.985	Purple	TEE
PST.006.995	Brown	TEE

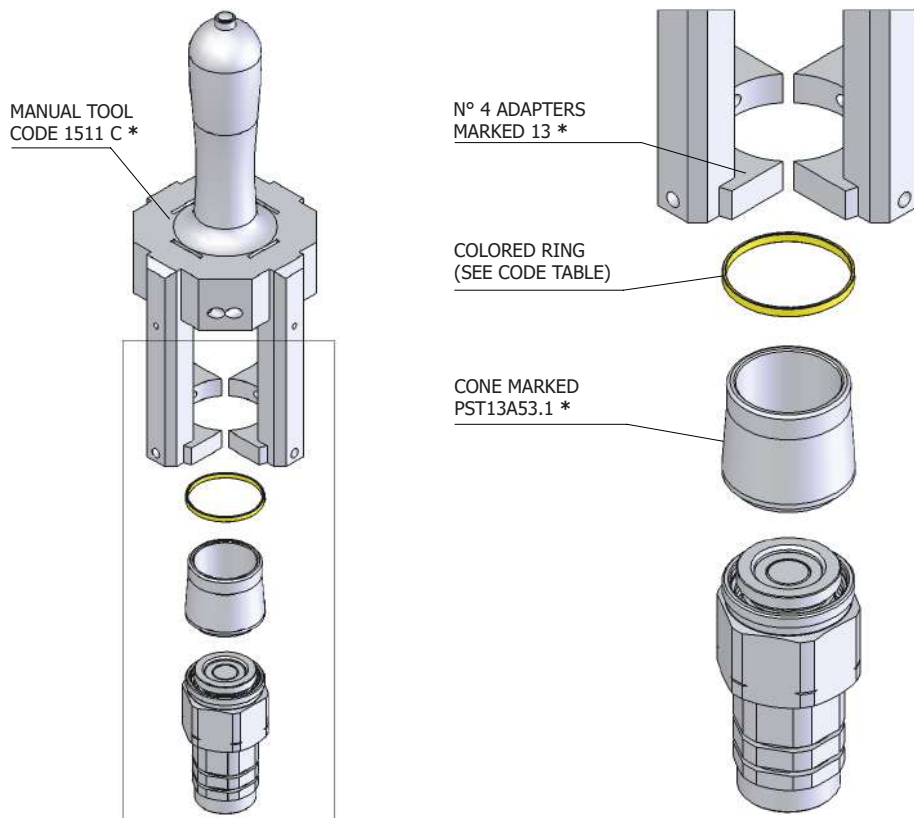
## MALE: ASSEMBLY INSTRUCTIONS OF COLORED RINGS/PART NUMBERS



\* OPTIONAL

PST4 DN06 - ISO 6.3		
CODE	COLOR	MATERIAL
PST.006.905	Red	TEE
PST.006.915	Yellow	TEE
PST.006.925	Green	TEE
PST.006.935	Blue	TEE
PST.006.945	Black	TEE
PST.006.955	White	TEE
PST.006.965	Grey	TEE
PST.006.975	Orange	TEE
PST.006.985	Purple	TEE
PST.006.995	Brown	TEE

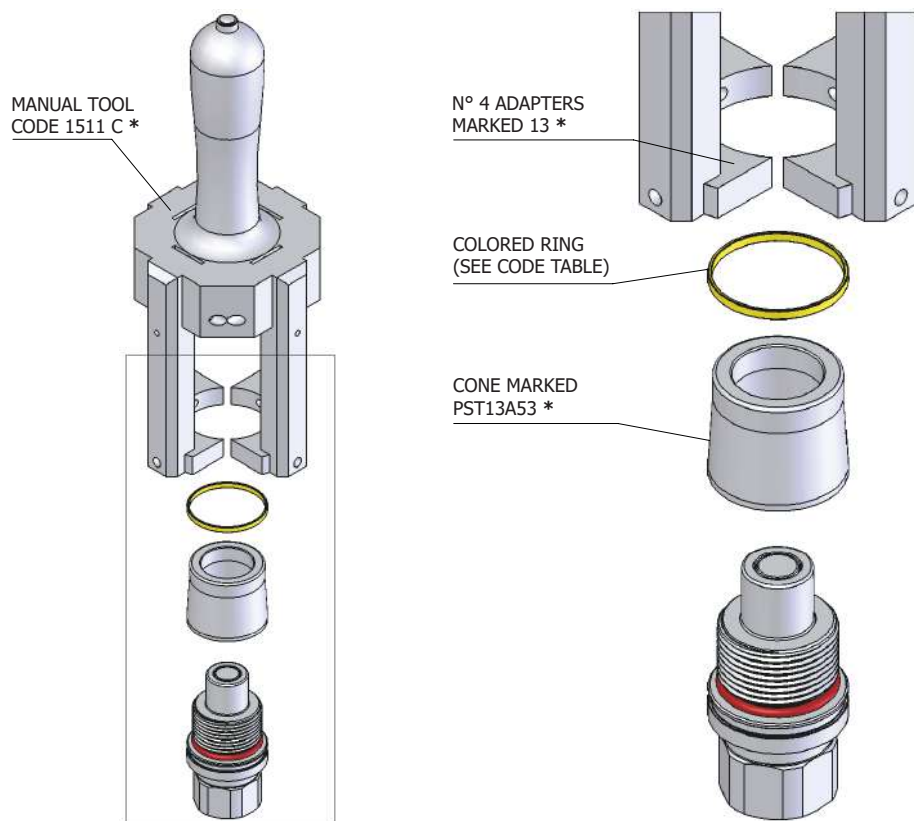
## FEMALE: ASSEMBLY INSTRUCTIONS OF COLORED RINGS/PART NUMBERS



\* OPTIONAL

PST4 DN13 - ISO 10		
CODE	COLOR	MATERIAL
PST.013.905		TEE
PST.013.915		TEE
PST.013.925		TEE
PST.013.935		TEE
PST.013.945		TEE
PST.013.955		TEE
PST.013.965		TEE
PST.013.975		TEE
PST.013.985		TEE
PST.013.995		TEE

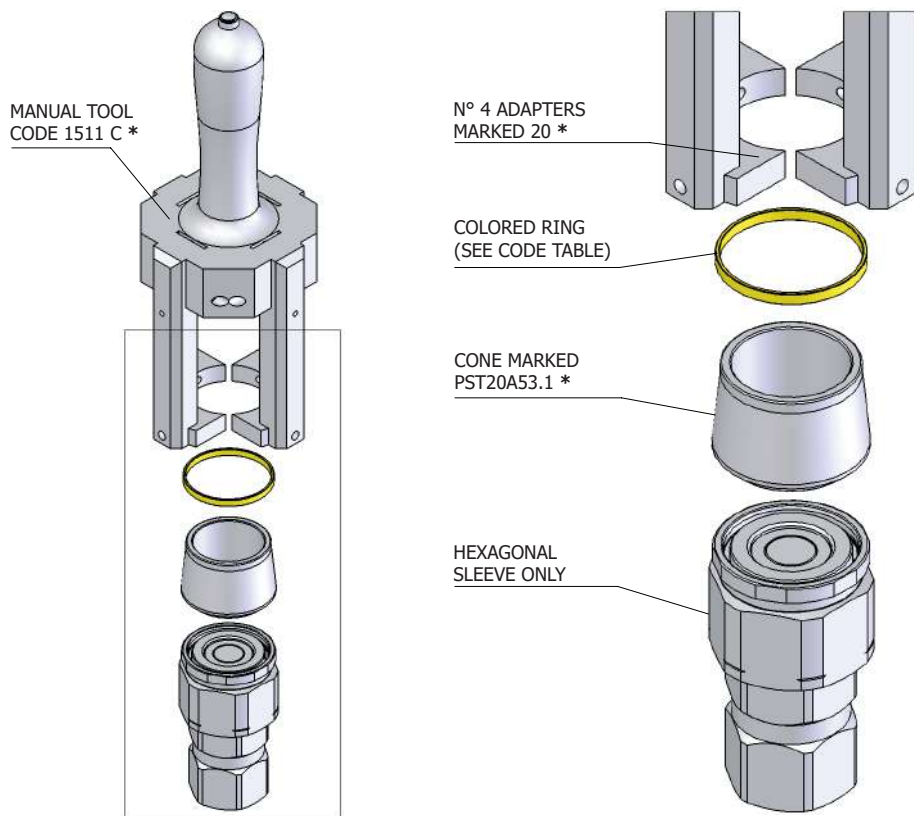
## MALE: ASSEMBLY INSTRUCTIONS OF COLORED RINGS/PART NUMBERS



\* OPTIONAL

PST4 DN13 - ISO 10		
CODE	COLOR	MATERIAL
PST.013.905		TEE
PST.013.915		TEE
PST.013.925		TEE
PST.013.935		TEE
PST.013.945		TEE
PST.013.955		TEE
PST.013.965		TEE
PST.013.975		TEE
PST.013.985		TEE
PST.013.995		TEE

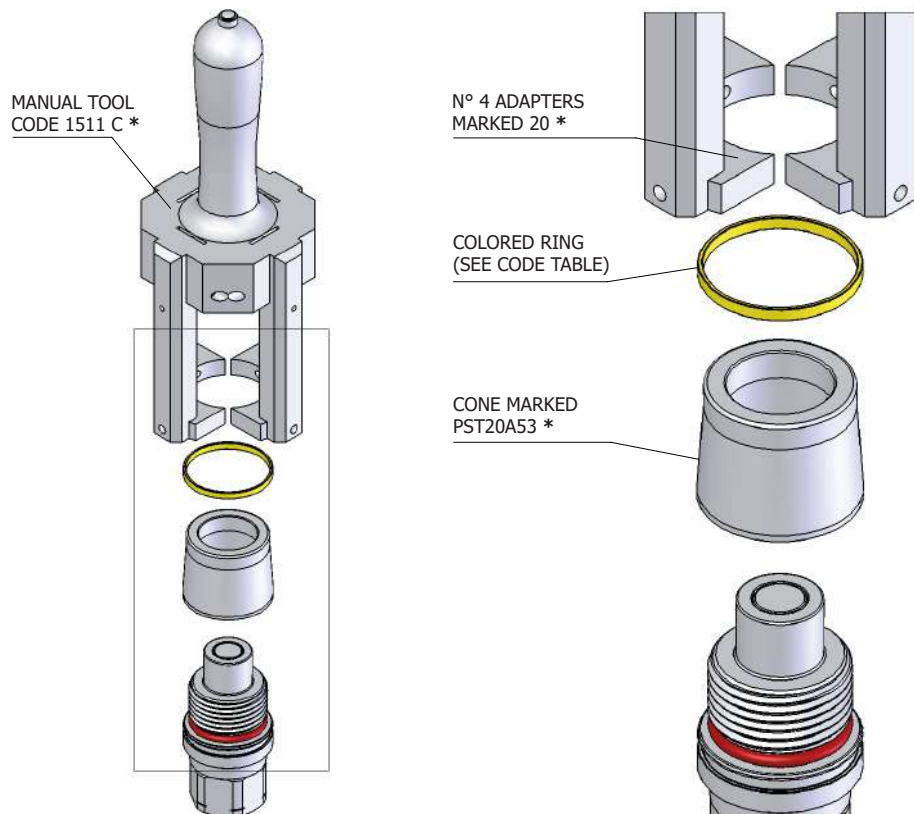
## FEMALE: ASSEMBLY INSTRUCTIONS OF COLORED RINGS/PART NUMBERS



PST4 DN20 - ISO 12.5		
CODE	COLOR	MATERIAL
PST.019.905		TEE
PST.019.915		TEE
PST.019.925		TEE
PST.019.935		TEE
PST.019.945		TEE
PST.019.955		TEE
PST.019.965		TEE
PST.019.975		TEE
PST.019.985		TEE
PST.019.995		TEE

\* OPTIONAL

## MALE: ASSEMBLY INSTRUCTIONS OF COLORED RINGS/PART NUMBERS

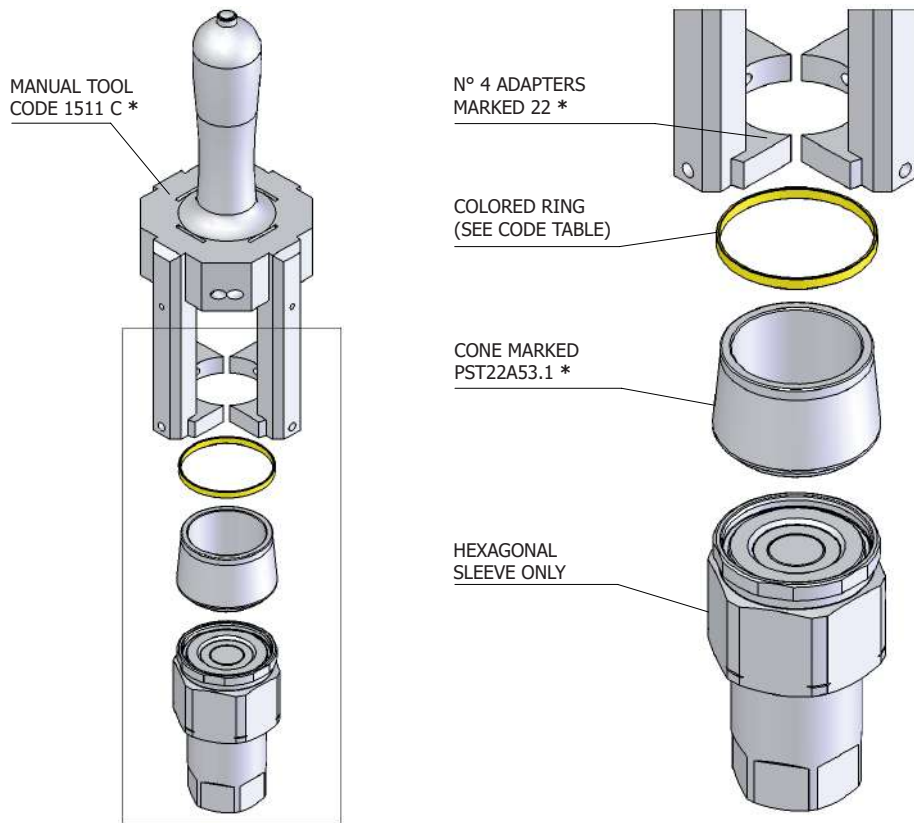


PST4 DN20 - ISO 12.5		
CODE	COLOR	MATERIAL
PST.019.905		TEE
PST.019.915		TEE
PST.019.925		TEE
PST.019.935		TEE
PST.019.945		TEE
PST.019.955		TEE
PST.019.965		TEE
PST.019.975		TEE
PST.019.985		TEE
PST.019.995		TEE

\* OPTIONAL



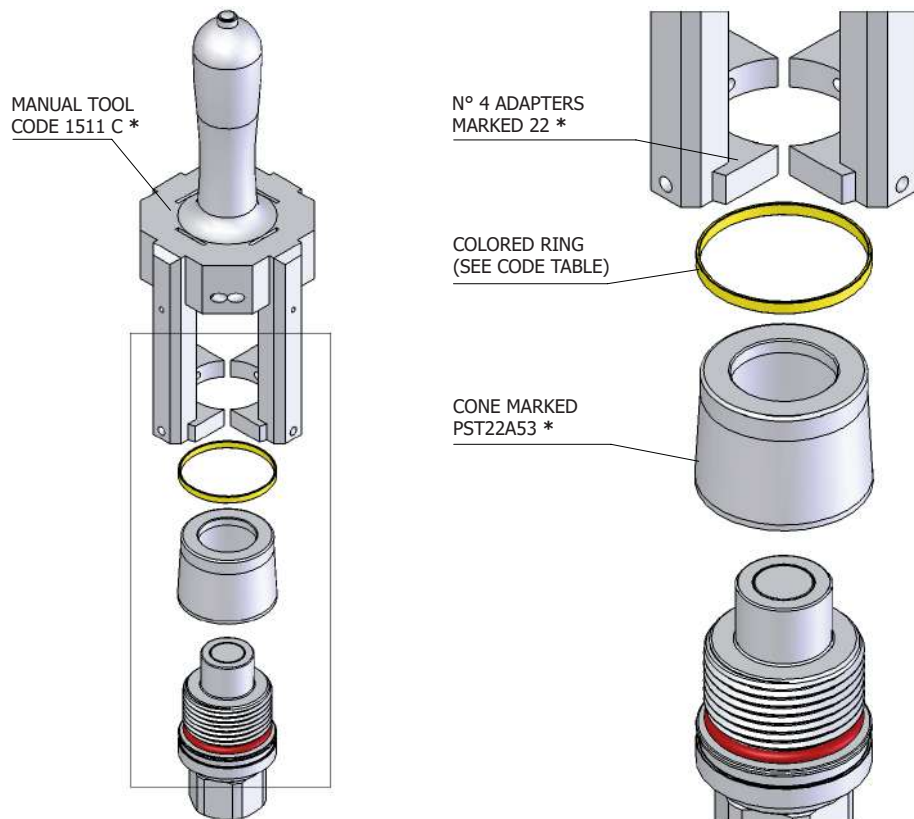
## FEMALE: ASSEMBLY INSTRUCTIONS OF COLORED RINGS/PART NUMBERS



PST4 DN22 - ISO 16		
CODE	COLOR	MATERIAL
PST.022.905		TEE
PST.022.915		TEE
PST.022.925		TEE
PST.022.935		TEE
PST.022.945		TEE
PST.022.955		TEE
PST.022.965		TEE
PST.022.975		TEE
PST.022.985		TEE
PST.022.995		TEE

\* OPTIONAL

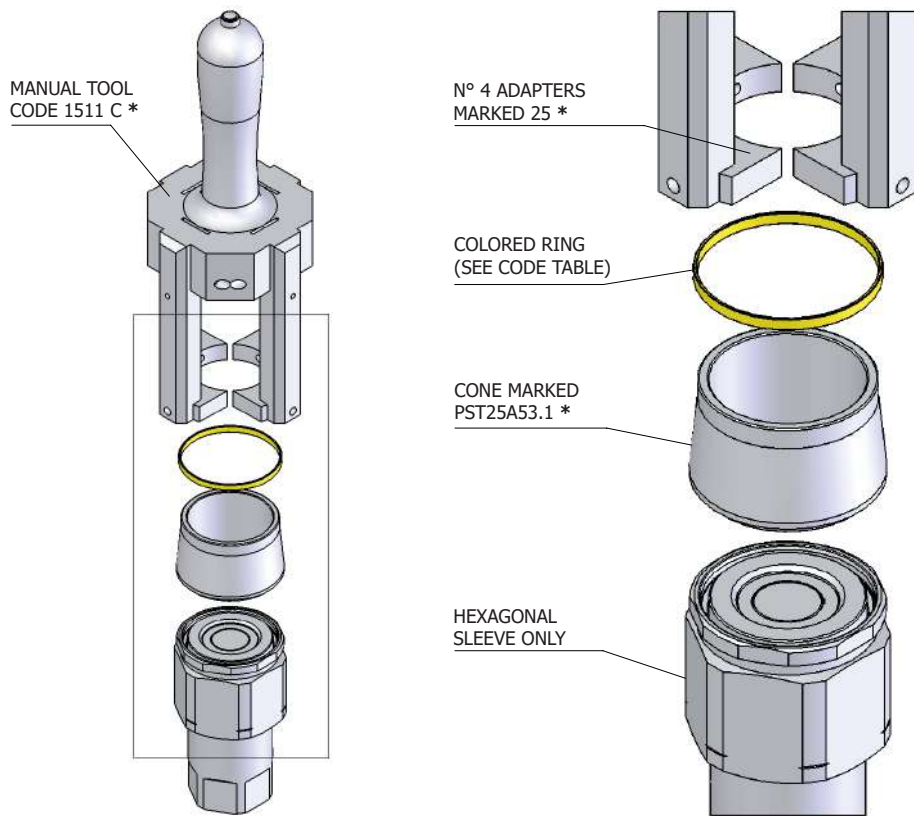
## MALE: ASSEMBLY INSTRUCTIONS OF COLORED RINGS/PART NUMBERS



PST4 DN22 - ISO 16		
CODE	COLOR	MATERIAL
PST.022.905		TEE
PST.022.915		TEE
PST.022.925		TEE
PST.022.935		TEE
PST.022.945		TEE
PST.022.955		TEE
PST.022.965		TEE
PST.022.975		TEE
PST.022.985		TEE
PST.022.995		TEE

\* OPTIONAL

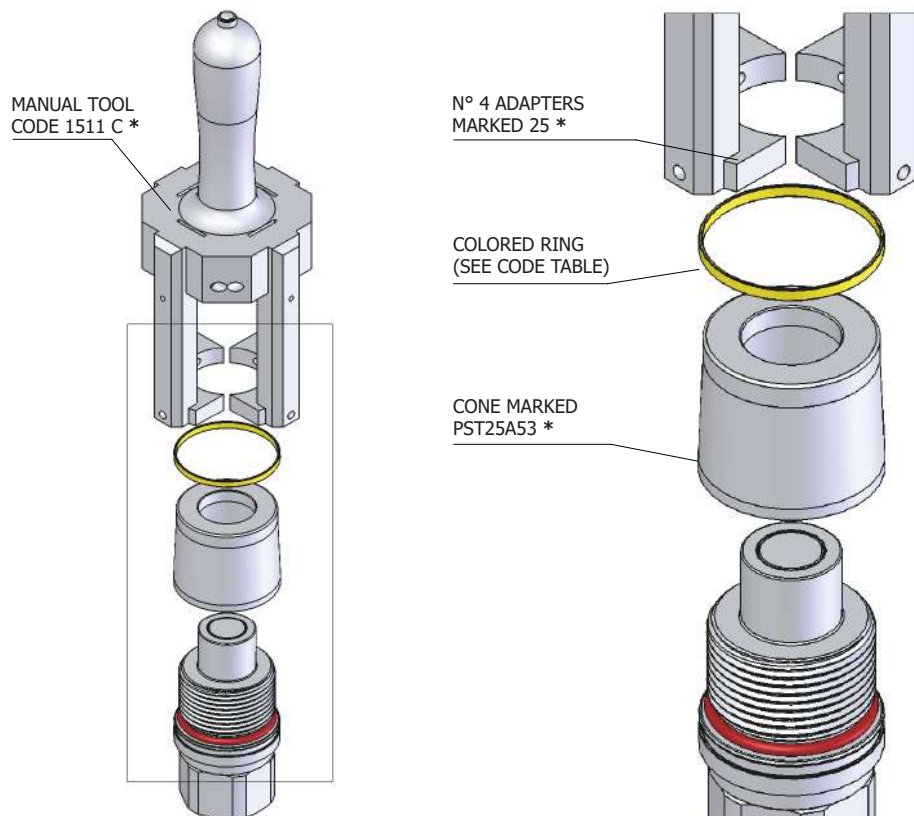
## FEMALE: ASSEMBLY INSTRUCTIONS OF COLORED RINGS/PART NUMBERS



PST4 DN25 - ISO 19		
CODE	COLOR	MATERIAL
PST.025.905		TEE
PST.025.915		TEE
PST.025.925		TEE
PST.025.935		TEE
PST.025.945		TEE
PST.025.955		TEE
PST.025.965		TEE
PST.025.975		TEE
PST.025.985		TEE
PST.025.995		TEE

\* OPTIONAL

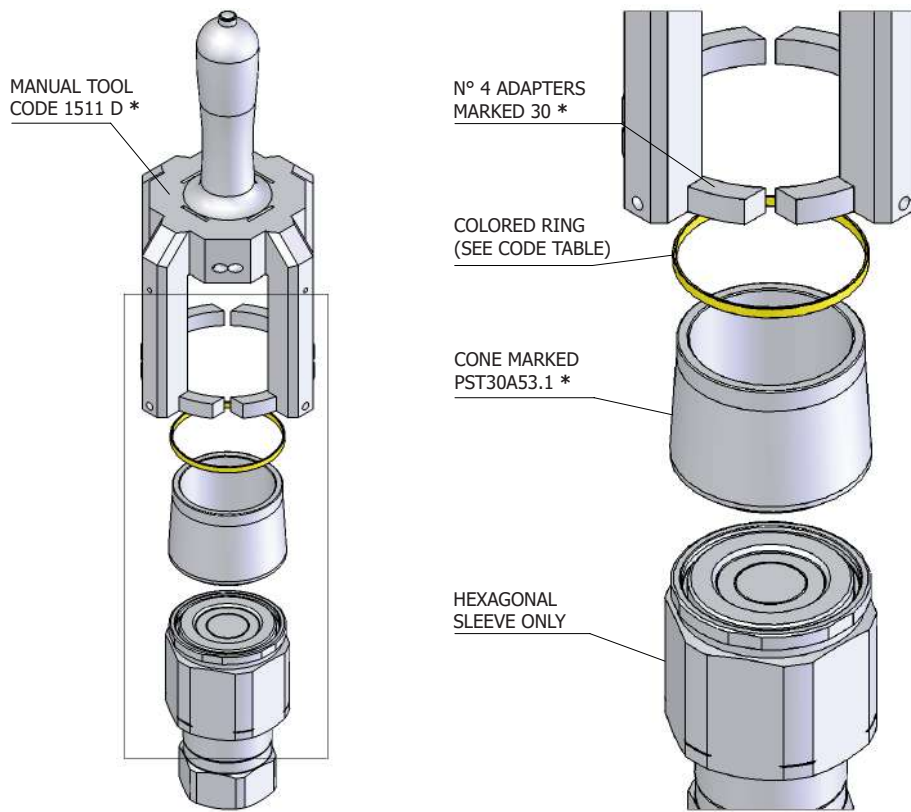
## MALE: ASSEMBLY INSTRUCTIONS OF COLORED RINGS/PART NUMBERS



PST4 DN25 - ISO 19		
CODE	COLOR	MATERIAL
PST.025.905		TEE
PST.025.915		TEE
PST.025.925		TEE
PST.025.935		TEE
PST.025.945		TEE
PST.025.955		TEE
PST.025.965		TEE
PST.025.975		TEE
PST.025.985		TEE
PST.025.995		TEE

\* OPTIONAL

## FEMALE: ASSEMBLY INSTRUCTIONS OF COLORED RINGS/PART NUMBERS

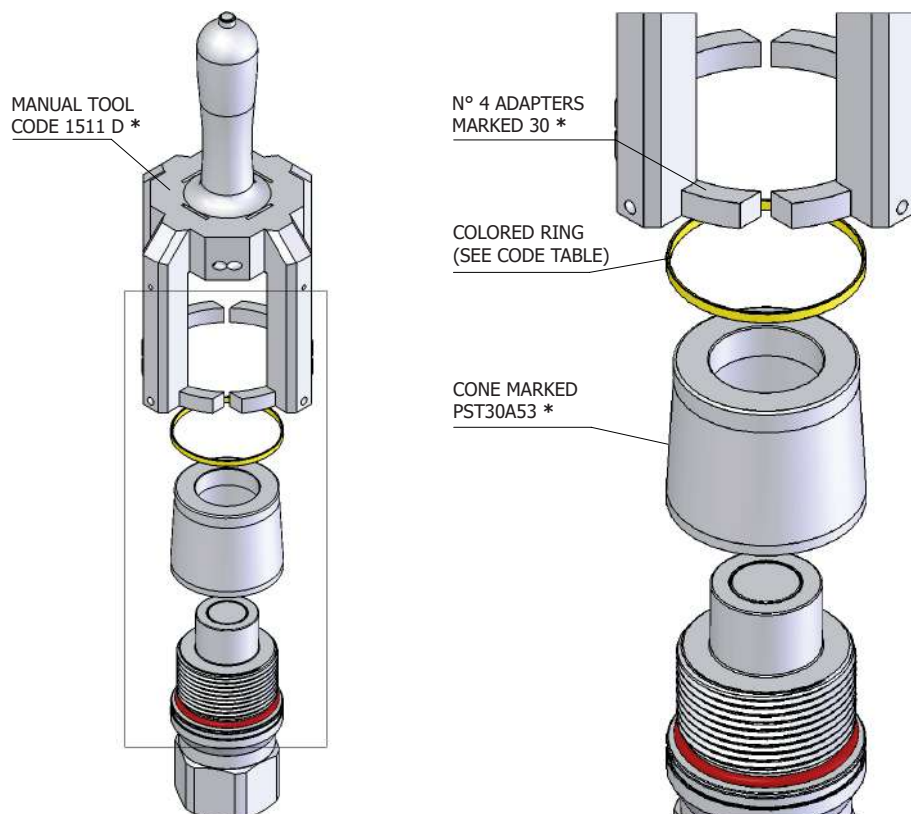


### PST4 DN30 - ISO 25

CODE	COLOR	MATERIAL
PST.030.905		TEE
PST.030.915		TEE
PST.030.925		TEE
PST.030.935		TEE
PST.030.945		TEE
PST.030.955		TEE
PST.030.965		TEE
PST.030.975		TEE
PST.030.985		TEE
PST.030.995		TEE

\* OPTIONAL

## MALE: ASSEMBLY INSTRUCTIONS OF COLORED RINGS/PART NUMBERS



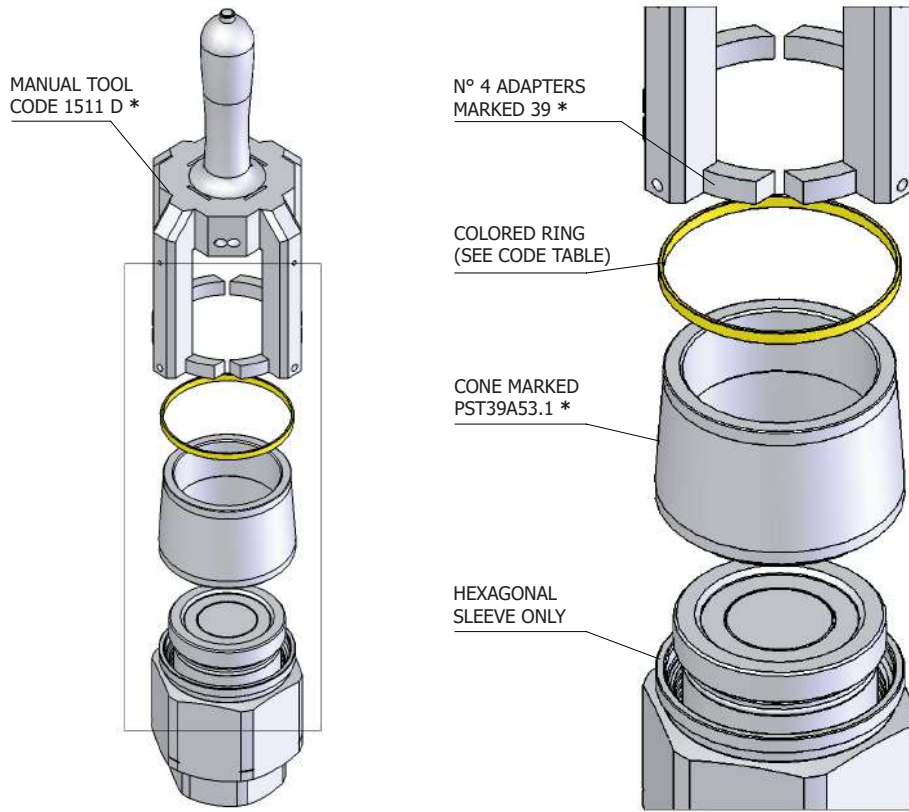
### PST4 DN30 - ISO 25

CODE	COLOR	MATERIAL
PST.030.905		TEE
PST.030.915		TEE
PST.030.925		TEE
PST.030.935		TEE
PST.030.945		TEE
PST.030.955		TEE
PST.030.965		TEE
PST.030.975		TEE
PST.030.985		TEE
PST.030.995		TEE

\* OPTIONAL



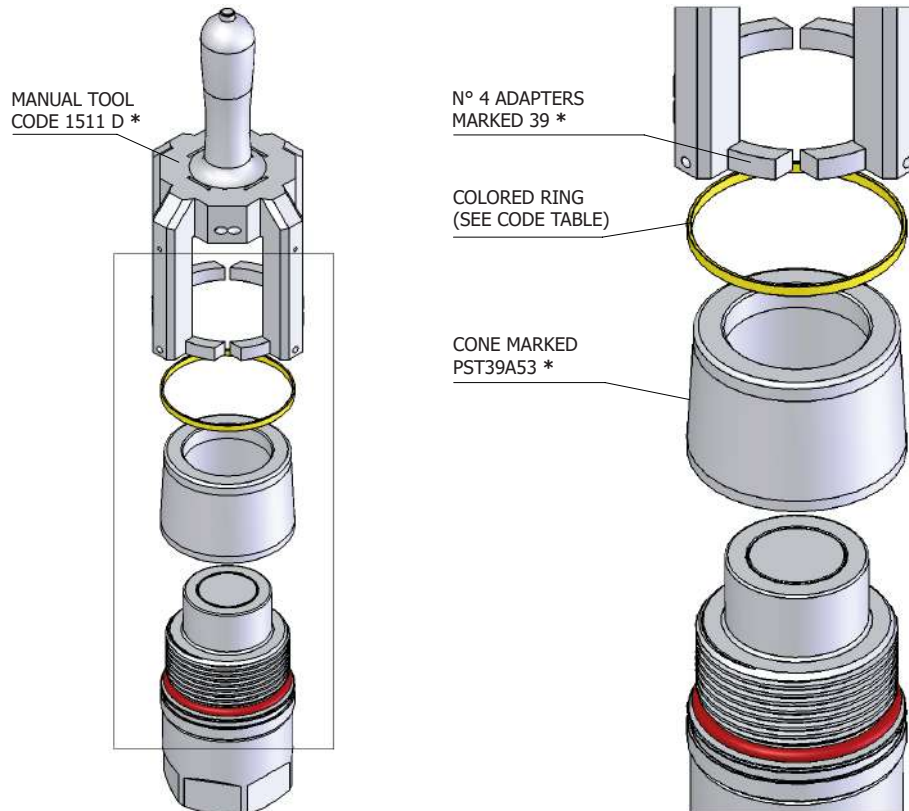
## FEMALE: ASSEMBLY INSTRUCTIONS OF COLORED RINGS AND PART NUMBERS



PST4 DN39 - ISO 40		
CODE	COLOR	MATERIAL
PST.039.905		TEE
PST.039.915		TEE
PST.039.925		TEE
PST.039.935		TEE
PST.039.945		TEE
PST.039.955		TEE
PST.039.965		TEE
PST.039.975		TEE
PST.039.985		TEE
PST.039.995		TEE

\* OPTIONAL

## MALE: ASSEMBLY INSTRUCTIONS OF COLORED RINGS/PART NUMBERS



PST4 DN39 - ISO 40		
CODE	COLOR	MATERIAL
PST.039.905		TEE
PST.039.915		TEE
PST.039.925		TEE
PST.039.935		TEE
PST.039.945		TEE
PST.039.955		TEE
PST.039.965		TEE
PST.039.975		TEE
PST.039.985		TEE
PST.039.995		TEE

\* OPTIONAL