

PUSH PULL/DECOMPRESSION

VALVOLA DECOMPRESSIONE

DECOMPRESSION VALVE

DEKOMPRESSIONSVENTIL

CLAPET DECOMPRESSION

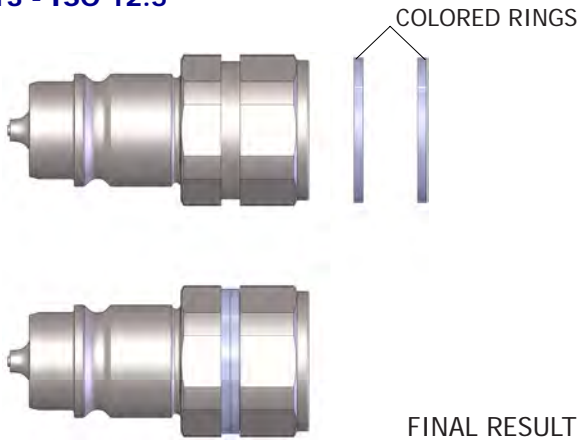
PKK3 DN13 - ISO 12.5 (p.18)

PKK3 DN20 - ISO 20 (p.18)



PKK3 DN13 - ISO 12.5

MALE

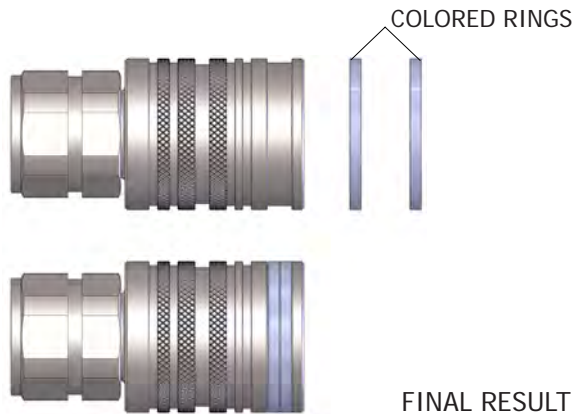


FINAL RESULT

PKK3 DN13 - ISO 12.5

CODE	COLOR	MATERIAL
PVT.006.905	●	PU
PVT.006.915	●	PU
PVT.006.925	●	PU
PVT.006.935	●	PU
PVT.006.945	●	PU
PVT.006.955	○	PU
PVT.006.965	●	PU
PVT.006.975	●	PU
PVT.006.985	●	PU
PVT.006.995	●	PU

FEMALE



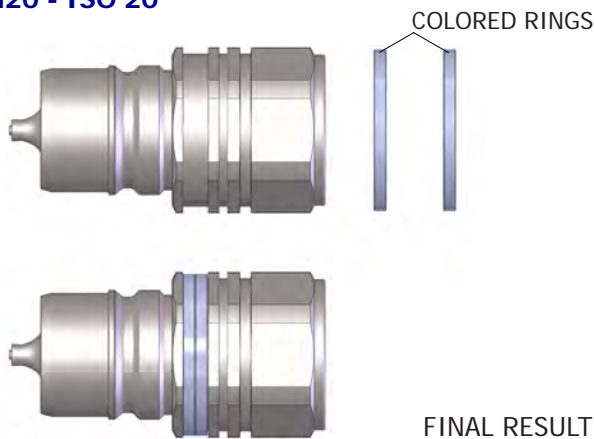
FINAL RESULT

PKK3 DN13 - ISO 12.5

CODE	COLOR	MATERIAL
PST.013.905	●	TEE
PST.013.915	●	TEE
PST.013.925	●	TEE
PST.013.935	●	TEE
PST.013.945	●	TEE
PST.013.955	○	TEE
PST.013.965	●	TEE
PST.013.975	●	TEE
PST.013.985	●	TEE
PST.013.995	●	TEE

PKK3 DN20 - ISO 20

MALE

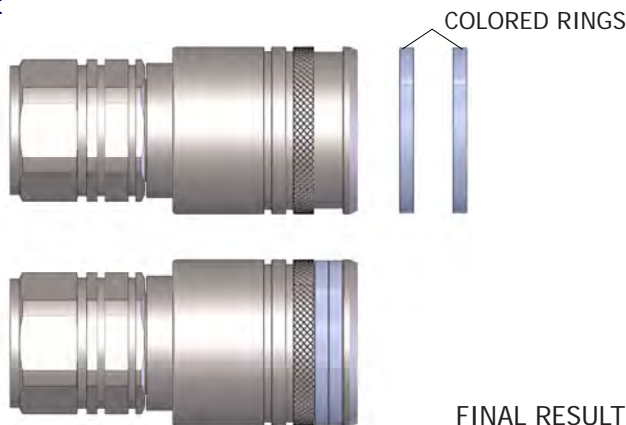


FINAL RESULT

PKK3 DN20 - ISO 20

CODE	COLOR	MATERIAL
PST.013.905	●	TEE
PST.013.915	●	TEE
PST.013.925	●	TEE
PST.013.935	●	TEE
PST.013.945	●	TEE
PST.013.955	○	TEE
PST.013.965	●	TEE
PST.013.975	●	TEE
PST.013.985	●	TEE
PST.013.995	●	TEE

FEMALE



FINAL RESULT

PKK3 DN20 - ISO 20

CODE	COLOR	MATERIAL
PST.019.905	●	TEE
PST.019.915	●	TEE
PST.019.925	●	TEE
PST.019.935	●	TEE
PST.019.945	●	TEE
PST.019.955	○	TEE
PST.019.965	●	TEE
PST.019.975	●	TEE
PST.019.985	●	TEE
PST.019.995	●	TEE